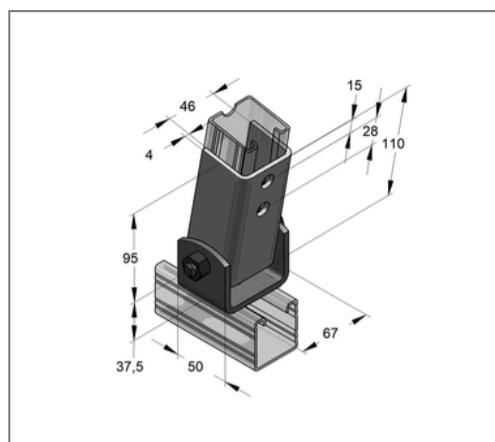
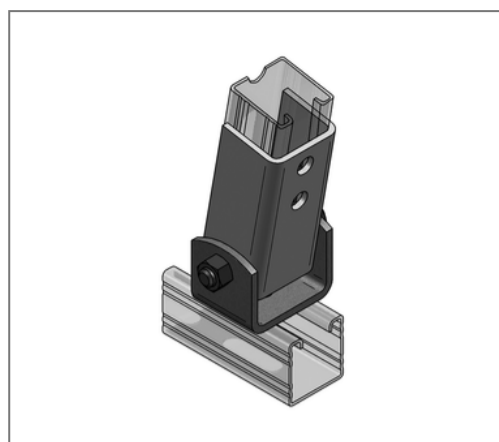


## ■ Joint holder C-profile 45 V4A vertical max. angle 90 °



### Commercial details

Part no.	0481206
EAN/GTIN	4250928412874
Packing unit	1 pcs
Quantity unit	pcs
Weight	0,856 kg/pc
Product group	13-054
Price unit	1

### QR code



### Certification



### Specification

Application area	Holder for making braces with mounting rails.
Profile	C-profile
Angle	90 °

### Technical data

Material	Stainless steel
Material type	V4A

### Product details

Hole-Ø	13 mm
Profile type	45
Alignment	vertical