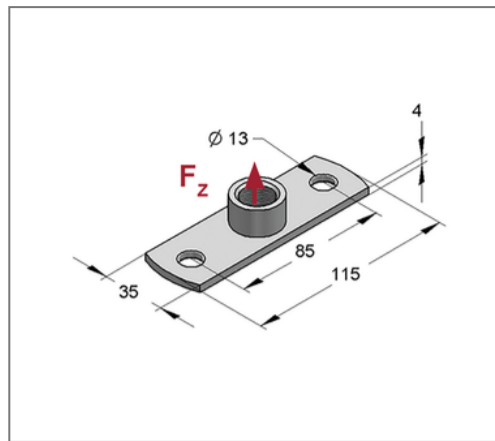
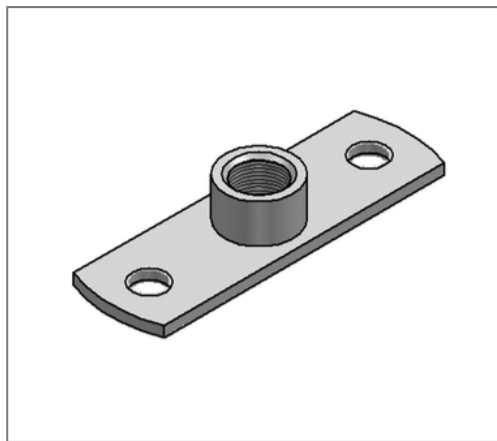


## ■ Base plate Type I V2A Connection M8 Plate 115x35x4 mm



### Commercial details

|               |               |
|---------------|---------------|
| Part no.      | 0599479       |
| EAN/GTIN      | 4250928415516 |
| Packing unit  | 1 pcs         |
| Quantity unit | pcs           |
| Weight        | 0,125 kg/pc   |
| Product group | 13-048        |
| Price unit    | 100           |

### QR code



### Certification



### Specification

|                        |       |
|------------------------|-------|
| Number of fixing holes | 2 pcs |
|------------------------|-------|

### Technical data

|               |                 |
|---------------|-----------------|
| Material      | Stainless steel |
| Material type | V2A             |

### Product details

|                          |         |
|--------------------------|---------|
| Connection               | M8      |
| Length                   | 115 mm  |
| Width                    | 35 mm   |
| Thickness                | 4 mm    |
| load $F_z$               | 1,35 kN |
| Hole distance lengthwise | 85 mm   |