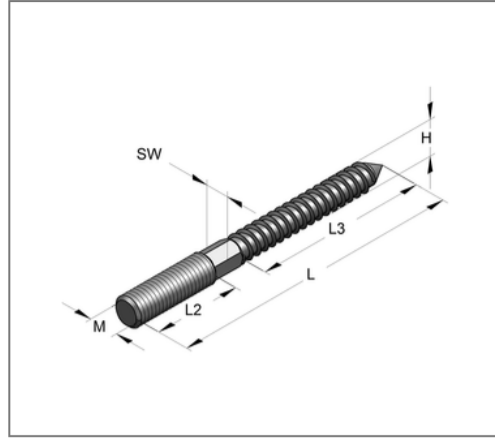


■ Stair bolt M10 H8,9 V2A Length 80 mm SW 8



Commercial details

Part no.	3609083
EAN/GTIN	4250928438706
Packing unit	50 pcs
Quantity unit	pcs
Weight	0,0288 kg/pc
Product group	13-048
Price unit	100

QR code



Certification



Technical data

Material	Stainless steel
Material type	V2A

Product details

Thread M	M10
Wood thread H	H8,9
Length wood thread L3	47 mm
Length L	80 mm
Wrench size SW	8
Type dowel	12x60