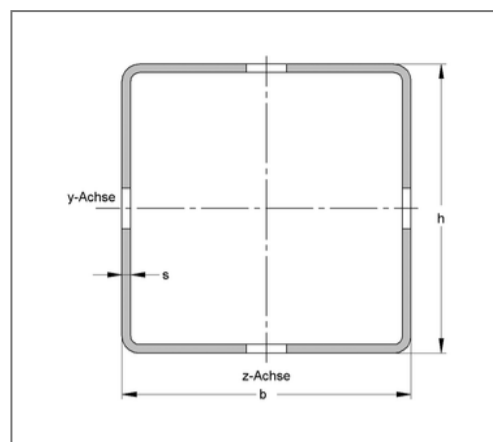
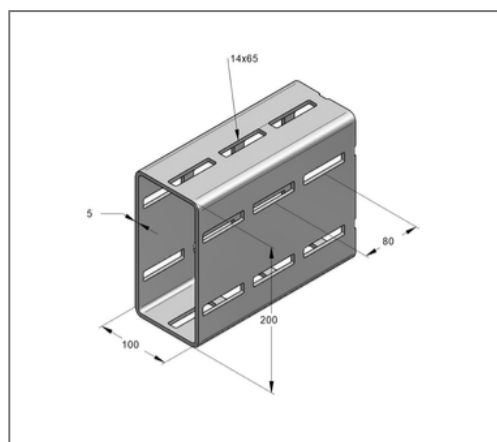
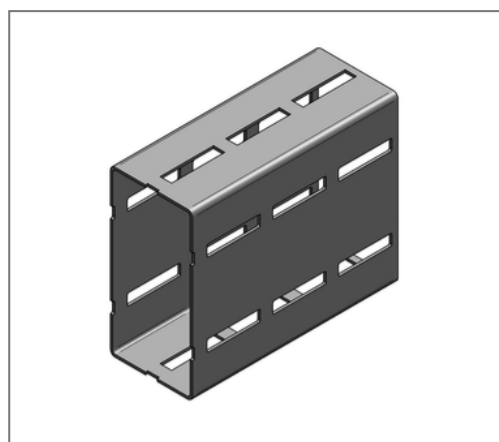


■ Profile rail CENTUM XL 200 100 / 200 / 5 mm L= 6 m hot-dip galv.



Commercial details

| | |
|---------------|---------------|
| Part no. | 16020060 |
| EAN/GTIN | 4250928449399 |
| Packing unit | 6 m |
| Bundle | 24 m |
| Quantity unit | m |
| Weight | 20,46 kg/m |
| Product group | 14-160 |
| Price unit | 1 |

QR code



Certification



Specification

| | |
|------------------|---|
| Application area | Heavy-duty profile for modular industrial and plant construction. |
| Specification | modular system 4-sided without raster in connection with mounting parts torsion stiffness high load capacity |

Technical data

| | |
|---------------|--------------------|
| Material | Steel |
| Material type | S235 |
| Surface | hot-dip galvanized |

Product details

| | |
|--|-------------------------|
| Width | 100 mm |
| Height | 200 mm |
| Thickness | 5 mm |
| Length | 6 m |
| Elongated hole | 14x65 mm |
| Area (least cross section of the profile rail) | 24,15 cm ² |
| Axial angular impulse I _y | 1255,68 cm ⁴ |
| Axial angular impulse I _z | 433,47 cm ⁴ |
| Grid dimension | 80 mm |
| Elastic limit | 275 N/mm ² |
| Radius of inertia i _y | 7,21 cm |
| Radius of inertia i _z | 4,24 cm |
| Section modulus W _y | 125,56 cm ³ |
| Section modulus W _z | 86,69 cm ³ |