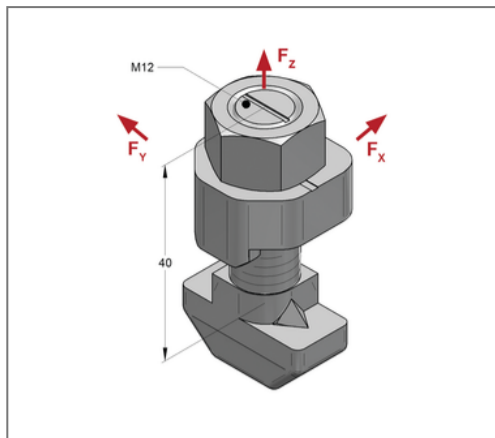
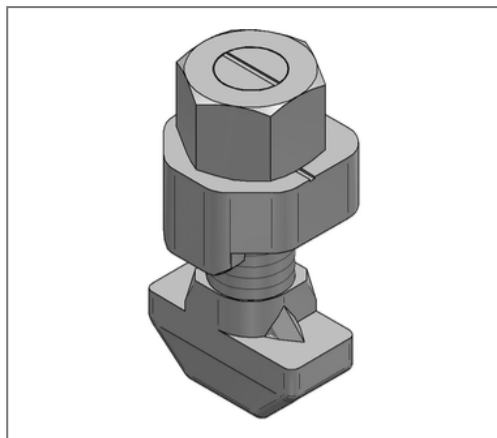


■ CENTUM T-lock M12 x 40 mm



Commercial details

Part no.	1610011000
EAN/GTIN	4250928436658
Packing unit	50 pcs
Quantity unit	pcs
Weight	0,120 kg/pc
Product group	14-161
Price unit	1

QR code



Certification



Specification

Application area	For form-locking mounting with MEFA CENTUM square profile.
Specification	form-locking connection
Profile type	XL 80, XL 100, XL 120, XL 200

Technical data

Material	Steel
Surface	Zinc-Nickel
Strength class	10.9

Product details

Thread	M12
Length thread	40 mm
Tightening torque XL 100	120 Nm
Tightening torque XL 80	90 Nm
Overall length	34 mm
Width hammer head	12,5 mm
Diameter washer	23,5 mm
Length hammer head	28 mm
Thickness hammer head	12 mm
Thickness washer	10 mm