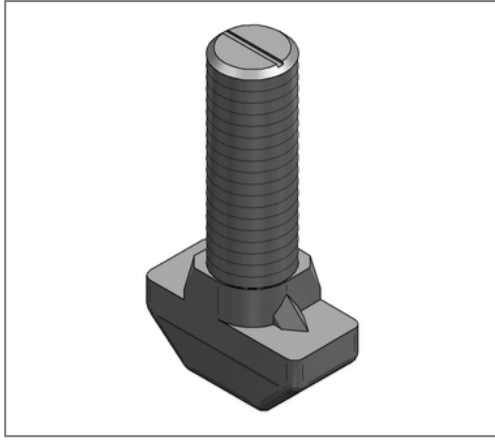


■ CENTUM T-lock bolt M12 x 40 mm



Commercial details

Part no.	1610012100/zn
EAN/GTIN	4250928448163
Packing unit	50 pcs
Quantity unit	pcs
Weight	0,0640 kg/pc
Product group	14-161
Price unit	1

QR code



Certification



Specification

Application	Accessories for CENTUM T-lock head and area
Specification	form-locking connection
Profile type	XL 80, XL 100, XL 120, XL 200

Technical data

Material	Steel
Surface	Zinc-Nickel
Strength class	10.9

Product details

Thread	M12
Length thread	40 mm
Tightening torque XL 100	120 Nm
Tightening torque XL 80	90 Nm
Width hammer head	12,5 mm
Length hammer head	28 mm
Thickness hammer head	12 mm