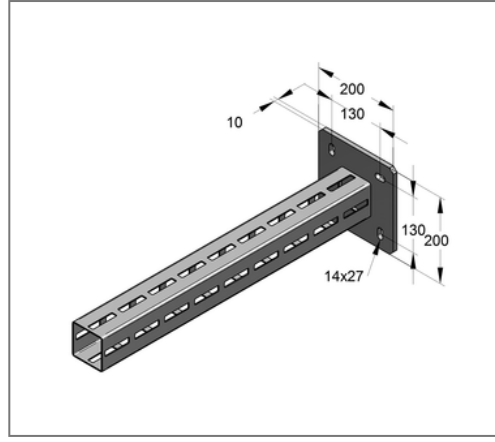
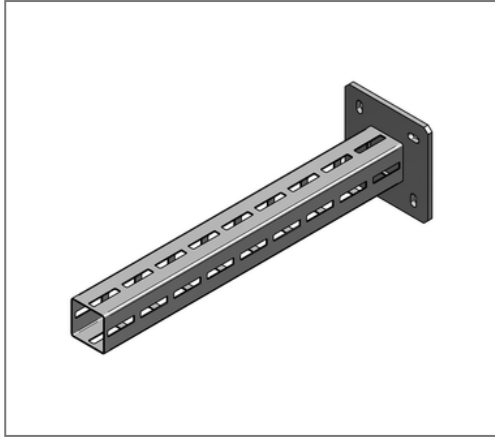


## ■ Console CENTUM XL 80 L= 720 mm hot-dip galv.



### Commercial details

Part no.	1630800720
EAN/GTIN	4250928458438
Packing unit	1 pcs
Quantity unit	pcs
Weight	7,26 kg/pc
Product group	14-163
Price unit	1

### QR code



### Certification



### Specification

Application area	Console for the production of cantilever structures for the support of suspended and standing pipe loads.
------------------	-----------------------------------------------------------------------------------------------------------

### Technical data

Material	Steel
Surface	hot-dip galvanized

### Product details

Width plate	200 mm
Length plate	200 mm
Hole distance	130 mm
Plate thickness	10 mm
Width profile	80 mm
Profile height	80 mm
Length console L	720 mm
Elongated hole plate	27x14 mm
load F1	8,38 kN
load F2	4,19 kN
load q0	11,64 kN/m
Profile thickness	2,5 mm