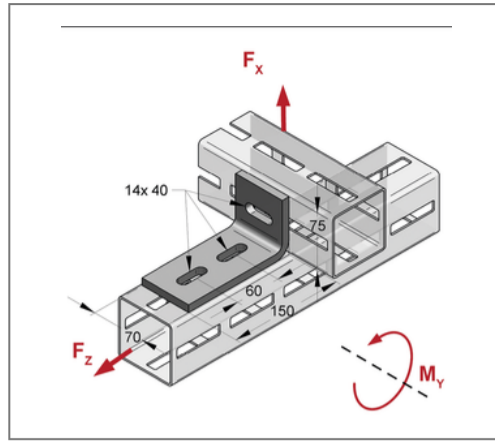
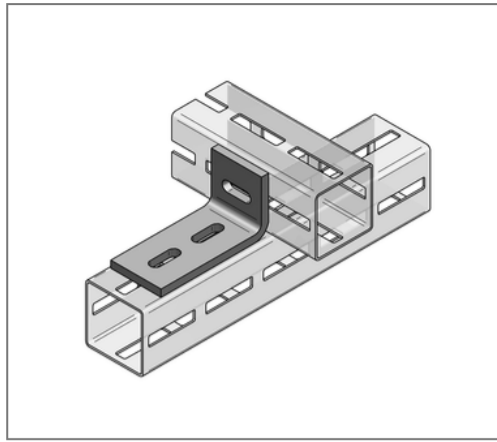


## ■ Angle 3-hole CENTUM XL 80 90 ° Wing 150 x 75 mm



### Commercial details

Part no.	1640081012
EAN/GTIN	4250928450425
Packing unit	1 pcs
Quantity unit	pcs
Weight	1,13 kg/pc
Product group	14-164
Price unit	1

### QR code



### Certification



### Specification

Application	Angle components for connecting CENTUM area
Specification	quer
Profile	CENTUM

### Technical data

Material	Steel
Material type	S235
Surface	hot-dip galvanized

### Product details

Elongated hole	14x40 mm
Profile type	XL 80
Material thickness	9 mm
Width material	70 mm
Length wing 1	150 mm
Length wing 2	75 mm
Angle	90 °