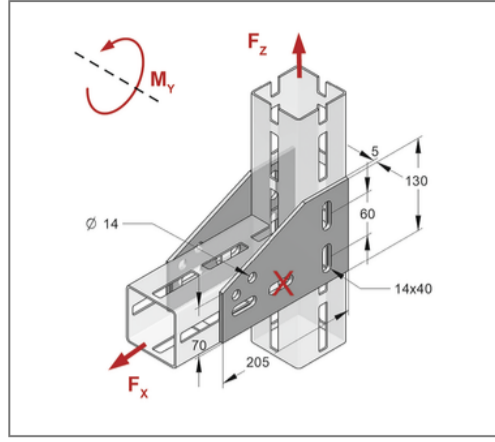
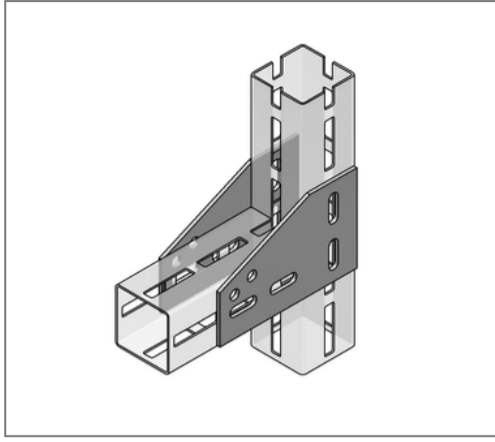


■ Corner plate for CENTUM XL 80



Commercial details

Part no.	1640083010
EAN/GTIN	4250928450449
Packing unit	1 pcs
Quantity unit	pcs
Weight	0,900 kg/pc
Product group	14-164
Price unit	1

QR code



Certification



Specification

Application area	For connecting CENTUM mounting profiles. Use in pairs.
Profile type	XL 80

Technical data

Material	Steel
Material type	S235
Surface	hot-dip galvanized

Product details

Width	130 mm
Length	205 mm
Hole- \varnothing	14 mm
Elongated hole	14x40 mm
Thickness	5 mm
load F_x	64 kN
load F_z	64 kN
limited torque M_y	2,34 kNm