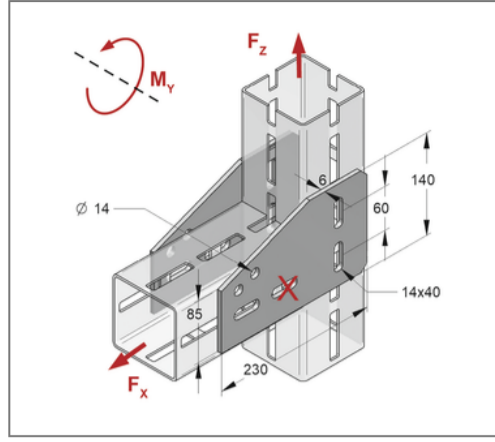
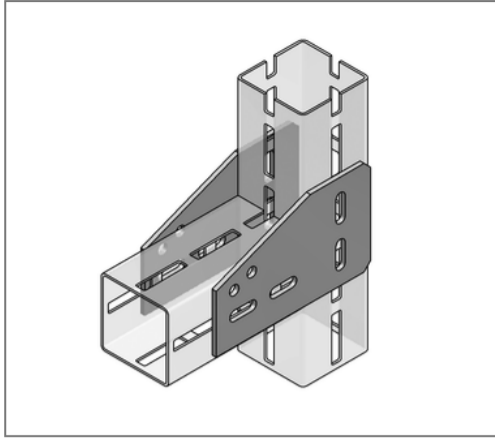


■ Corner plate for CENTUM XL 100, 120, 200



Commercial details

Part no.	1640003010
EAN/GTIN	4250928436887
Packing unit	1 pcs
Quantity unit	pcs
Weight	1,37 kg/pc
Product group	14-164
Price unit	1

QR code



Certification



Specification

Application area	For connecting CENTUM mounting profiles. Use in pairs.
Profile type	XL 100, XL 120, XL 200

Technical data

Material	Steel
Material type	S235
Surface	hot-dip galvanized

Product details

Width	140 mm
Length	230 mm
Hole-Ø	14 mm
Elongated hole	14x40 mm
Thickness	6 mm
load F_x	64 kN
load F_z	64 kN
limited torque M_y	2,34 kNm