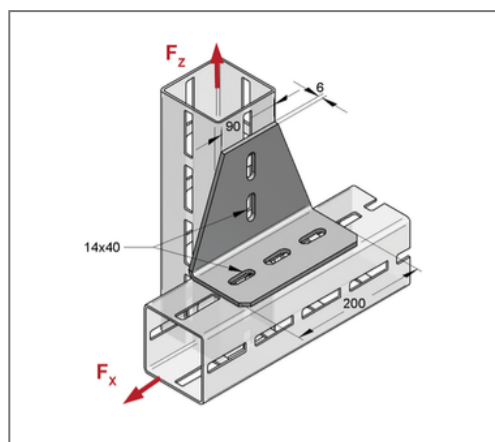
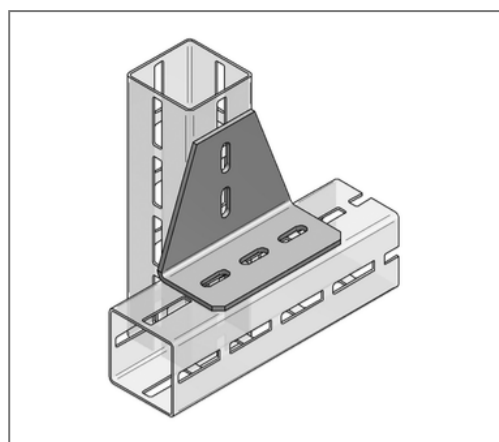


## ■ T-plate angulated CENTUM 90 ° Wing 156,5 x 95 mm



### Commercial details

Part no.	1640001040
EAN/GTIN	4250928436870
Packing unit	1 pcs
Quantity unit	pcs
Weight	1,97 kg/pc
Product group	14-164
Price unit	1

### QR code



### Certification



### Specification

Application	Angle components for connecting CENTUM area
Profile	CENTUM

### Technical data

Material	Steel
Material type	S235
Surface	hot-dip galvanized

### Product details

Elongated hole	14x40 mm
Profile type	XL 100, XL 120, XL 200
Material thickness	6 mm
Width material	200 mm
Length wing 1	156,5 mm
Length wing 2	95 mm
Angle	90 °