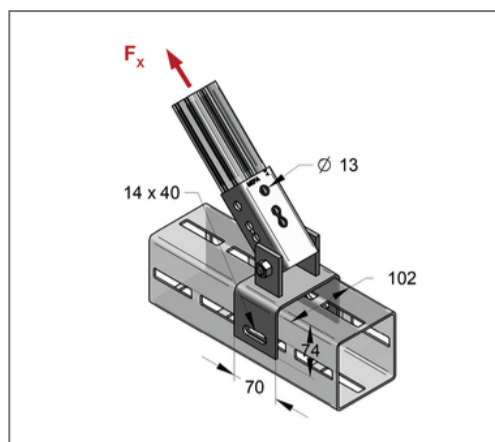
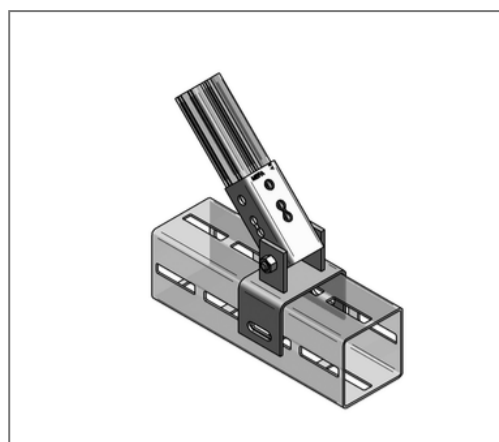


■ Joint connection CENTUM XL 100 C-profile vertical max. angle 90 ° ZnNi



Commercial details

Part no.	1641014110
EAN/GTIN	4250928437044
Packing unit	1 pcs
Quantity unit	pcs
Weight	1,28 kg/pc
Product group	14-164
Price unit	1

QR code



Certification



Specification

Application area Gelenkbauteil zur Verbindung eines Montageprofils CENTUM® in stufenlos verstellbarer Winkelstellung mit einer Montageschiene 45.

Profile CENTUM
Angle 90 °

Technical data

Material Steel
Material type S235
Surface Zinc-Nickel

Product details

load F_x 7 kN
Hole-Ø 13 mm
Profile type XL 100, XL 200
Alignment vertical