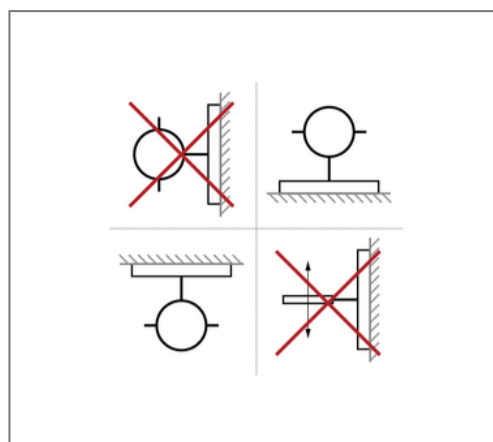
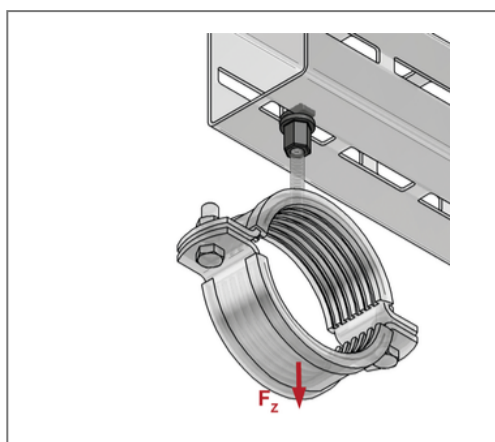


■ Direct connector CENTUM M12



Commercial details

Part no.	1640016012
EAN/GTIN	4250928450517
Packing unit	50 pcs
Quantity unit	pcs
Weight	0,0694 kg/pc
Product group	14-164
Price unit	1

QR code



Certification



Specification

Application area	Direct connection option for M12 thread.
Thread	M12
Profile type	XL 80, XL 100, XL 120, XL 200

Technical data

Material	Steel
Surface	Zinc-Nickel

Product details

Wrench size	17
Height collar nut	25 mm
Tightening torque	25 Nm
load F_z	3 kN