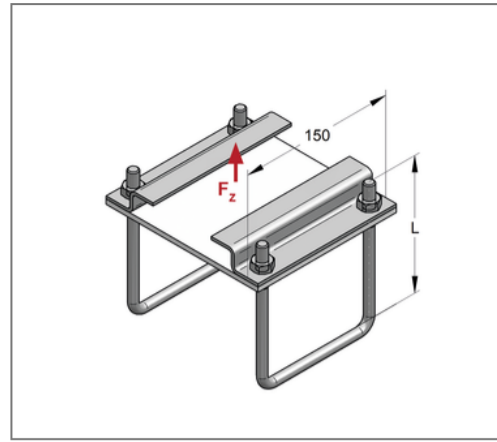
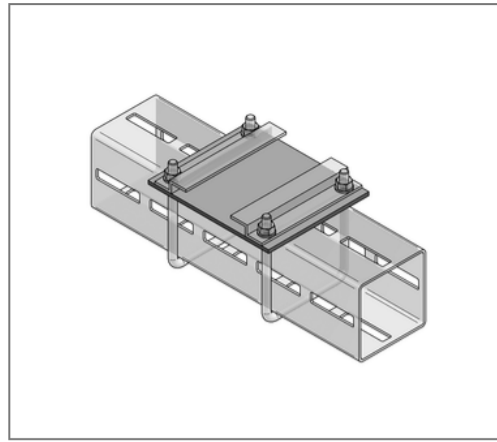
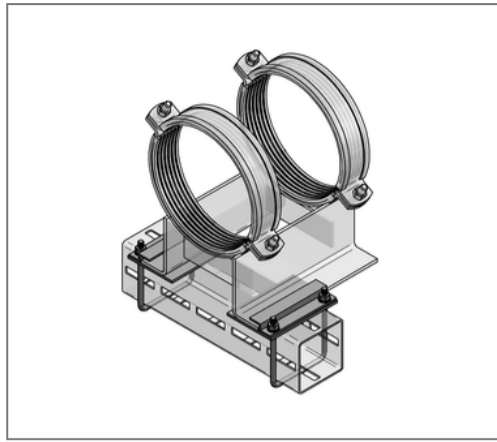


■ Z-Guides Set U-bolt XL 100 For sliding element width from 140 mm



Commercial details

Part no.	14799140
EAN/GTIN	4250928449443
Packing unit	1 set
Quantity unit	set
Weight	1,09 kg/set
Product group	14-147
Price unit	1

QR code



Certification



Specification

Application area	Guiding of sliding elements on CENTUM® XL 100 or square tube 100 or CENTUM® XL 120 upright.
------------------	---

Technical data

Material	Steel
Material type	S235
Surface	Zinc-Nickel
min. temperature resistance	-30 °C
max. temperature resistance	110 °C

Product details

Thread	M10
Length thread	40 mm
Hole-Ø	10,5 mm
Thickness	3 mm
Static friction factor	0,2 - 0,3
Center distance U-bolt	116 mm
Center distance hole	116 mm
For max. plate thickness	16 mm
load F _z	4,5 kN
For sliding element width from	140 mm
Width Z-guides	64,5 mm
Profile type	XL 100
Height U-bolt	136 mm
Height Z-guides	22 mm

Product details

Length Z-guides

150 mm