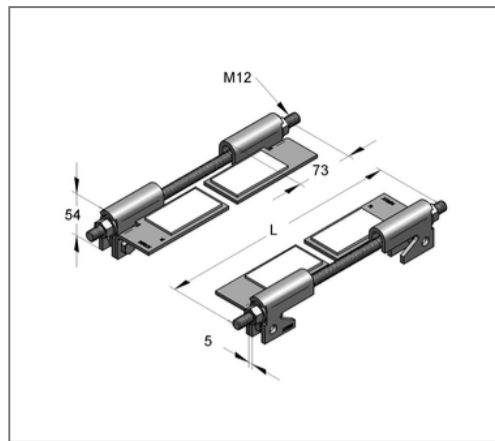
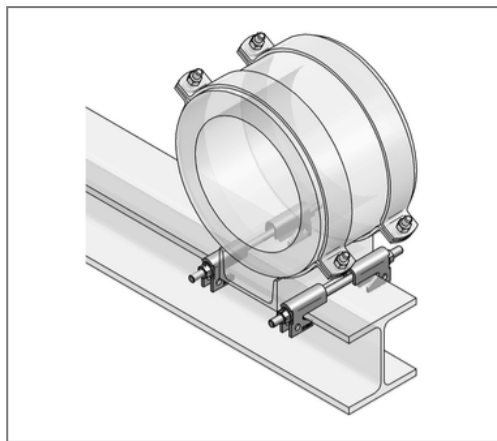


## ■ Guiding clamp Type B IV for HEA 300-400 HEB 200-300 IPE 450-600



### Commercial details

Part no.	147110034
EAN/GTIN	4250928449832
Packing unit	1 set
Quantity unit	set
Weight	3,51 kg/set
Product group	14-147
Price unit	1

### QR code



### Certification



### Specification

Application area	For guiding plain bearings and sliding carriages on steel girders.
Number of PE sliding stripes	none

### Technical data

Material	Steel
Material type	S235
Surface	hot-dip galvanized
Safety factor	1,54
Tightening torque	64 Nm
min. temperature resistance	-200 °C
max. temperature resistance	80 °C

### Product details

Type	without lift lock
Threaded rod type	M16 x 500
load $F_x$	4 kN
for beam HEA	300-400
for beam HEB	200-300
for beam IPE	450-600

### Remark

Delivery time	on demand
---------------	-----------