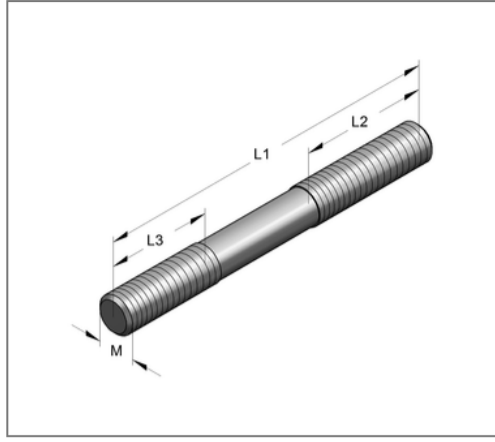
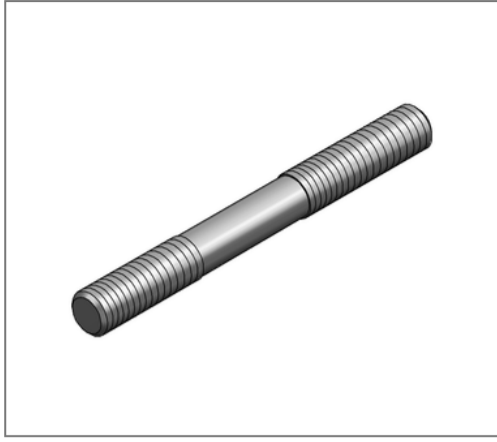


■ Threaded pin left-hand right-hand M12 x 250 mm hot-dip galv. FK 4.6



Commercial details

| | |
|---------------|---------------|
| Part no. | 1660007212 |
| EAN/GTIN | 4250928449597 |
| Packing unit | 1 pcs |
| Quantity unit | pcs |
| Weight | 0,220 kg/pc |
| Product group | 14-166 |
| Price unit | 1 |

QR code



Technical data

| | |
|----------------|--------------------|
| Material | Steel |
| Surface | hot-dip galvanized |
| Strength class | 4.6 |

Product details

| | |
|------------------|----------|
| Thread M | M12 |
| Length L1 | 250 mm |
| Length thread L2 | 130 mm |
| Length thread L3 | 80 mm |
| tension load | 20,64 kN |