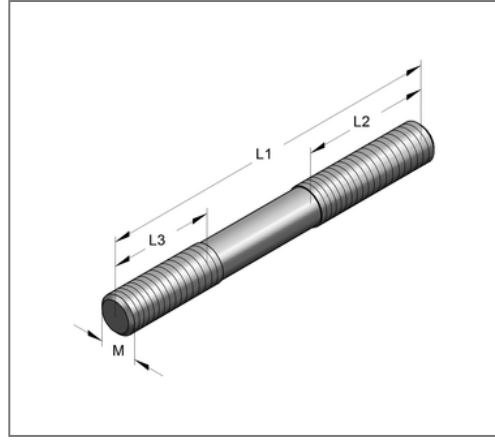
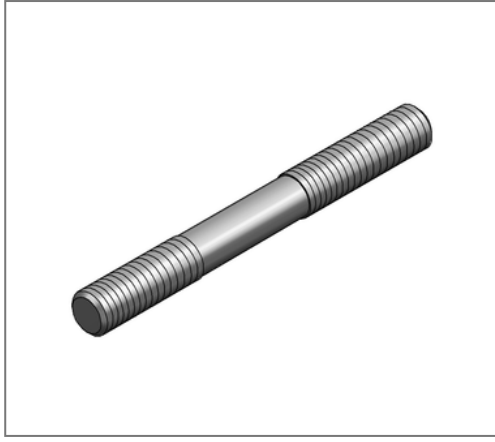


## ■ Threaded pin left-hand right-hand M16 x 250 mm hot-dip galv. FK 4.6



### Commercial details

Part no.	1660007216
EAN/GTIN	4250928449603
Packing unit	1 pcs
Quantity unit	pcs
Weight	0,400 kg/pc
Product group	14-166
Price unit	1

### QR code



### Technical data

Material	Steel
Surface	hot-dip galvanized
Strength class	4.6

### Product details

Thread M	M16
Length L1	250 mm
Length thread L2	130 mm
Length thread L3	80 mm
tension load	38,43 kN