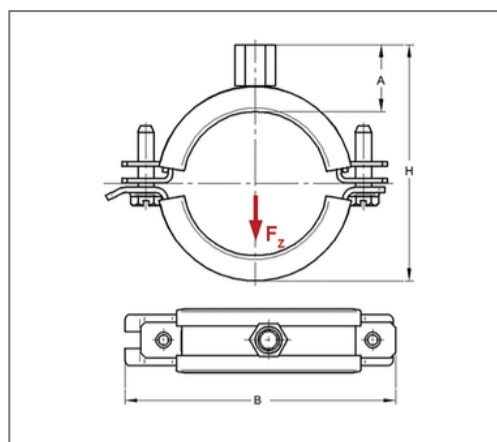
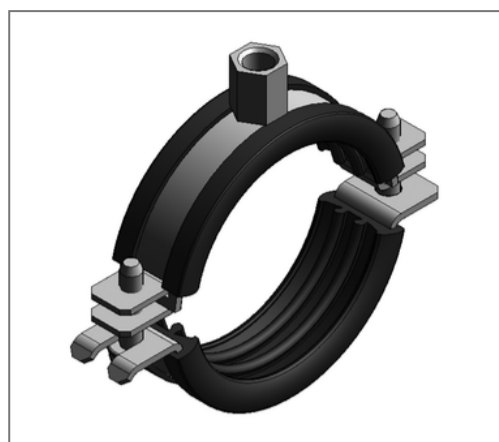


## ■ Pipe clamp Omnia MB ZnNi 20x1,5 15 - 20 mm M8/M10 TPE



### Commercial details

Part no.	0398020/zn
EAN/GTIN	4250928456045
Packing unit	100 pcs
Quantity unit	pcs
Weight	0,0780 kg/pc
Product group	01-039
Price unit	100

### QR code



### Certification



### Specification

Application area	Pipe clamp for fixing pipes.
Specification	two-part
Connection	M8/M10
Closure	Sleuable U-closure

### Technical data

Material	Steel
Material type	DD11
Surface	Zinc-Nickel
Insulation thickness	6 mm
Temperature resistance	-35 °C - 100 °C
Sound insulation lining	TPE

### Product details

Connection height A	24 mm
Width B	61 mm
Colour sound insulation lining	black
Höhe H	42 - 47 mm
Material dimension	20x1,5 mm
load $F_z$	1 kN
Clamping range	15 - 20 mm
Outside pipe diameter inch	3/8 inch
Closure screw	M6

### Remark

Notice	Silicon sound insulation on request
--------	-------------------------------------