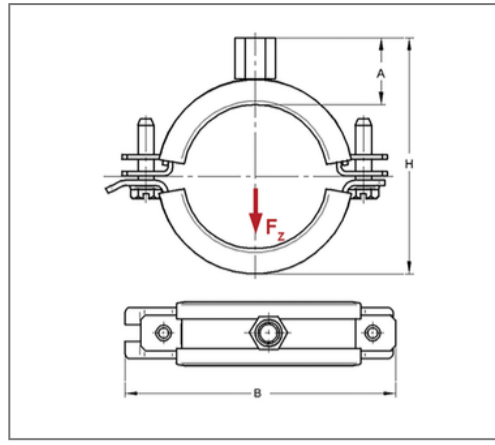
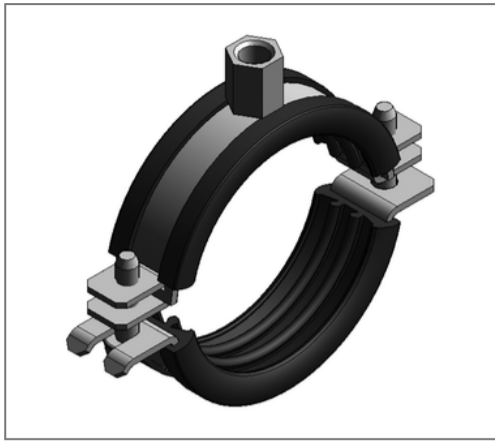


## ■ Pipe clamp Omnia MB ZnNi 20x1,5 22 - 28 mm M8/M10 TPE



### Commercial details

Part no.	0398028/zn
EAN/GTIN	4250928456052
Packing unit	100 pcs
Quantity unit	pcs
Weight	0,0860 kg/pc
Product group	01-039
Price unit	100

### QR code



### Certification



### Specification

Application area	Pipe clamp for fixing pipes.
Specification	two-part
Connection	M8/M10
Closure	Slewable U-closure

### Product details

Connection height A	24 mm
Width B	68 mm
Colour sound insulation lining	black
Höhe H	49 - 56 mm
Material dimension	20x1,5 mm
load $F_z$	1 kN
Clamping range	22 - 28 mm
Outside pipe diameter inch	1/2-3/4 inch
Closure screw	val.Verschlusschraube.M6

### Technical data

Material	Steel
Material type	DD11
Surface	Zinc-Nickel
Insulation thickness	6 mm
Temperature resistance	-35 °C - 100 °C
Sound insulation lining	TPE

### Remark

Notice	Silicon sound insulation on request
--------	-------------------------------------