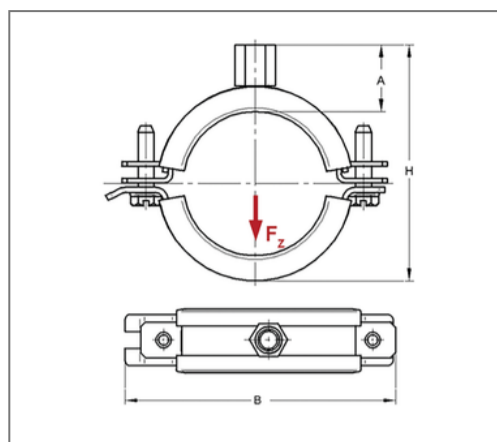
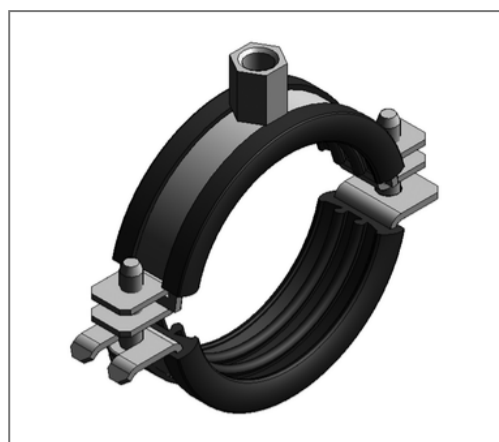


■ Pipe clamp Omnia MB ZnNi 20x2 50 - 54 mm M8/M10 TPE



Commercial details

Part no.	0398054/zn
EAN/GTIN	4250928456090
Packing unit	50 pcs
Quantity unit	pcs
Weight	0,137 kg/pc
Product group	01-039
Price unit	100

QR code



Certification



Specification

Application area	Pipe clamp for fixing pipes.
Specification	two-part
Connection	M8/M10
Closure	Slewable U-closure

Product details

Connection height A	24 mm
Width B	101 mm
Colour sound insulation lining	black
Höhe H	78 - 82 mm
Material dimension	20x2 mm
load F_z	1,6 kN
Clamping range	50 - 54 mm
Closure screw	val.Verschlusschraube.M6

Technical data

Material	Steel
Material type	DD11
Surface	Zinc-Nickel
Insulation thickness	6 mm
Temperature resistance	-35 °C - 100 °C
Sound insulation lining	TPE

Remark

Notice	Silicon sound insulation on request
--------	-------------------------------------