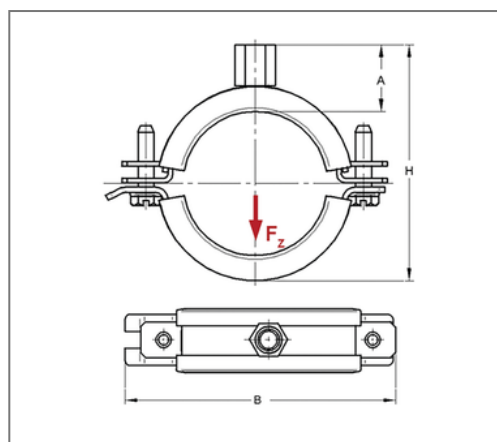


## ■ Pipe clamp Omnia MB ZnNi 20x2 56 - 60 mm M8/M10 TPE



### Commercial details

Part no.	0398060/zn
EAN/GTIN	4250928456106
Packing unit	50 pcs
Quantity unit	pcs
Weight	0,146 kg/pc
Product group	01-039
Price unit	100

### QR code



### Certification



### Specification

Application area	Pipe clamp for fixing pipes.
Specification	two-part
Connection	M8/M10
Closure	Slewable U-closure

### Technical data

Material	Steel
Material type	DD11
Surface	Zinc-Nickel
Insulation thickness	6 mm
Temperature resistance	-35 °C - 100 °C
Sound insulation lining	TPE

### Product details

Connection height A	24 mm
Width B	108 mm
Colour sound insulation lining	black
Höhe H	84 - 88 mm
Material dimension	20x2 mm
load $F_z$	1,6 kN
Clamping range	56 - 60 mm
Outside pipe diameter inch	2 inch
Closure screw	M6

### Remark

Notice	Silicon sound insulation on request
--------	-------------------------------------