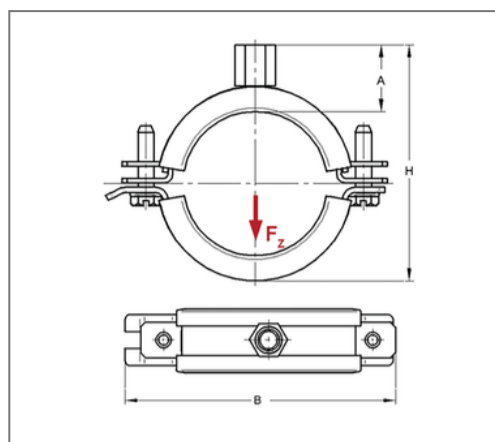


## ■ Pipe clamp Omnia MB ZnNi 25x2,5 108 - 112 mm M8/M10 TPE



### Commercial details

Part no.	0398112/zn
EAN/GTIN	4250928456175
Packing unit	50 pcs
Quantity unit	pcs
Weight	0,304 kg/pc
Product group	01-039
Price unit	100

### QR code



### Certification



### Specification

Application area	Pipe clamp for fixing pipes.
Specification	two-part
Connection	M8/M10
Closure	Slewable U-closure

### Technical data

Material	Steel
Material type	DD11
Surface	Zinc-Nickel
Insulation thickness	6 mm
Temperature resistance	-35 °C - 100 °C
Sound insulation lining	TPE

### Product details

Connection height A	25 mm
Width B	158 mm
Colour sound insulation lining	black
Höhe H	137 - 141 mm
Material dimension	25x2,5 mm
load Fz	1,8 kN
Clamping range	108 - 112 mm
Closure screw	M6

### Remark

Notice	Silicon sound insulation on request
--------	-------------------------------------