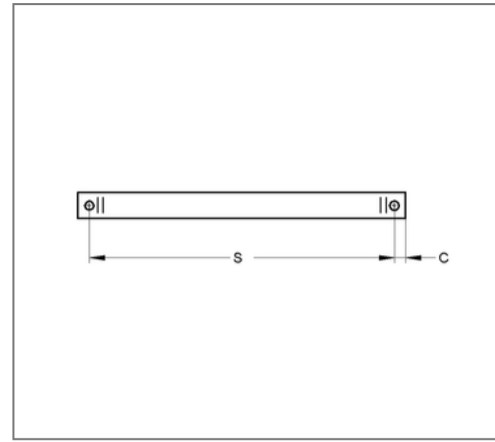
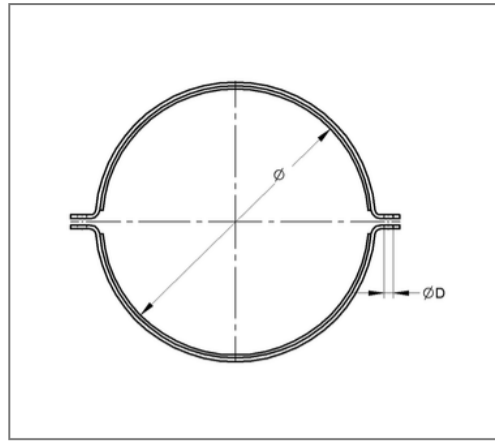


## ■ Pipe clamp Form A TGA 90x15 1,016 mm without connection TPE galv.



### Commercial details

Part no.	109gkba1016
EAN/GTIN	4250928423955
Packing unit	1 pcs
Quantity unit	pcs
Weight	42,24 kg/pc
Product group	14-109
Price unit	1

### QR code



### Certification



### Specification

Application area	pipe clamp for fixing pipes.
Specification	two-part
Connection	without connection

### Technical data

Material	Steel
Material type	S235
Surface	galvanized
Insulation thickness	8 mm
Temperature resistance	-30 °C - 100 °C
Sound insulation lining	TPE

### Product details

Center distance S	1153 mm
Colour sound insulation lining	black
Material dimension	90x15 mm
load F <sub>Z</sub>	11,5 kN
Outer pipe diameter	1016 mm
Closure screw	M24