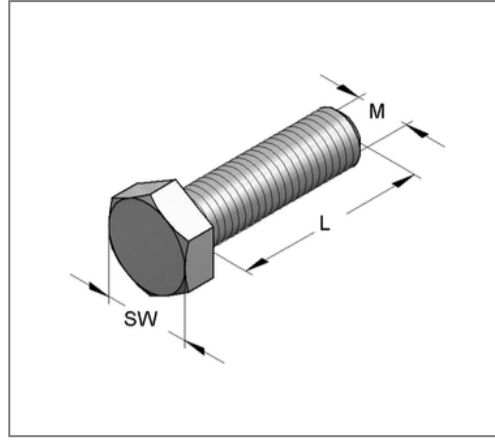
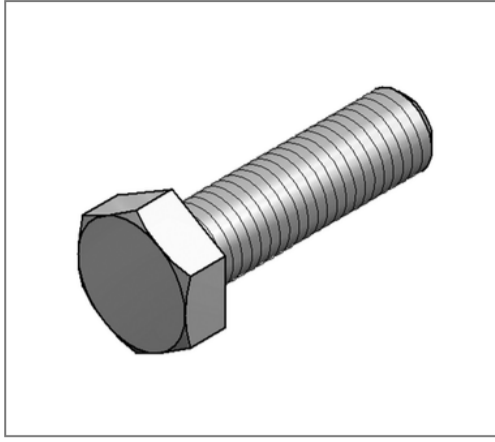


■ Hexagon screw EN ISO 4017 M10 x 25 mm hot-dip galv. FK 8.8



Commercial details

Part no.	3205251/fvz
EAN/GTIN	4250928456434
Packing unit	200 pcs
Quantity unit	pcs
Weight	0,0261 kg/pc
Product group	05-320
Price unit	100

QR code



Certification



Technical data

Material	Steel
Surface	hot-dip galvanized
Strength class	8.8

Product details

Thread M	M10
Length L	25 mm
Wrench size SW	17
Shape head	Hexagon head

Remark

Notice	DIN EN ISO 4017
--------	-----------------