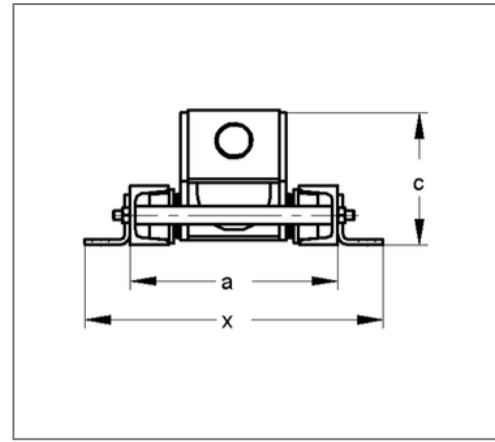
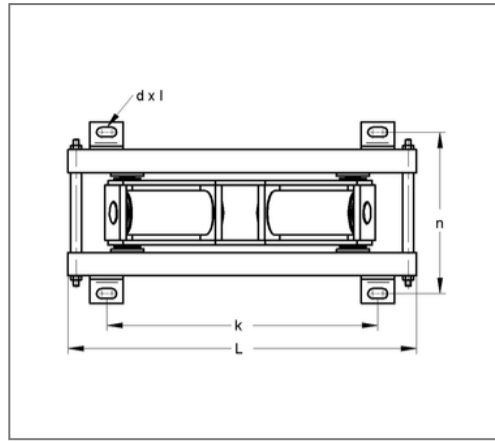
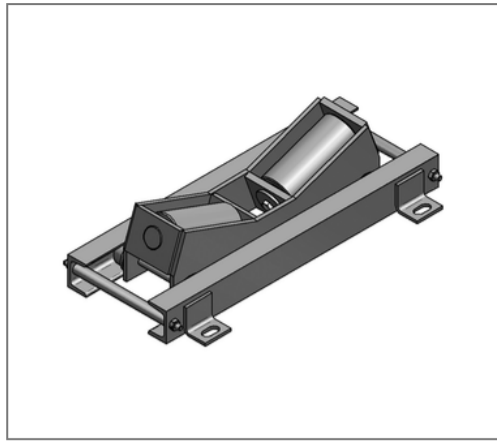


## ■ Roller bearing double radial-axial 219 - 406 mm 5 kN 100 mm hot-dip galv.



### Commercial details

Part no.	150xfa040406
EAN/GTIN	4250928435477
Packing unit	1 pcs
Quantity unit	pcs
Weight	11,26 kg/pc
Product group	14-150
Price unit	1

### QR code



### Specification

Application area	roller bearing in double design for supporting heavy pipelines on insulation-saddle.
------------------	--

### Technical data

Material	Steel
Material type	S235
Surface	hot-dip galvanized

### Product details

Height	86 mm
load $F_z$	5 kN
Length	370 mm
Elongated hole	14x27 mm
Material thickness	4 mm
Hole distance lengthwise	230 mm
Hole distance crosswise	216 mm
Width without lugs	168 mm
min. diameter roller support	219 mm
max. diameter roller support	406 mm