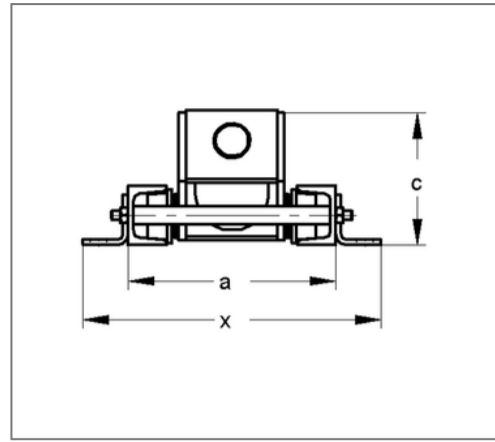
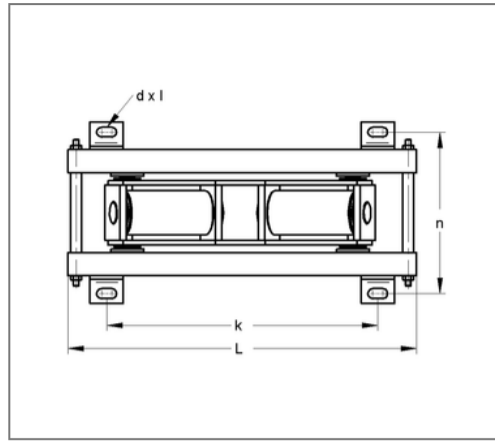
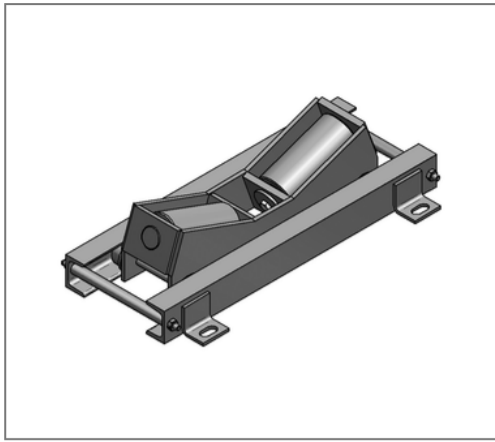


■ Roller bearing double radial-axial 1120 - 1920 mm 200 kN 300 mm hot-dip galv.



Commercial details

Part no.	150xfc121920
EAN/GTIN	4250928435835
Packing unit	1 pcs
Quantity unit	pcs
Weight	150,99 kg/pc
Product group	14-150
Price unit	1

QR code



Specification

Application roller bearing in double design for supporting area heavy pipelines on insulation-saddle.

Technical data

Material	Steel
Material type	S235
Surface	hot-dip galvanized

Product details

Height	274 mm
load F_z	200 kN
Length	1230 mm
Elongated hole	27x54 mm
Material thickness	10 mm
Hole distance lengthwise	1070 mm
Hole distance crosswise	388 mm
Width without lugs	312 mm
min. diameter roller support	1120 mm
max. diameter roller support	1920 mm