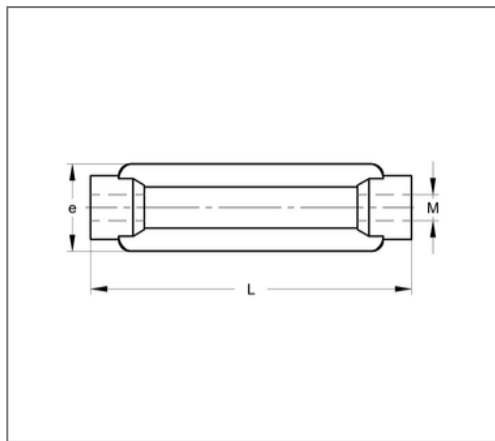
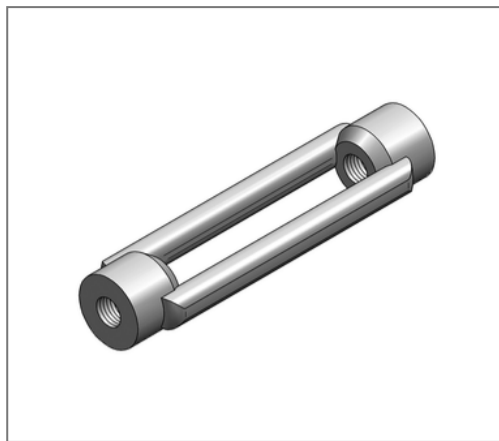


■ Turnbuckle open DIN 1480 M16 hot-dip galv.



Commercial details

Part no.	1660007456
EAN/GTIN	4250928449580
Packing unit	1 pcs
Quantity unit	pcs
Weight	0,511 kg/pc
Product group	14-166
Price unit	1

QR code



Specification

Application strain of tension rods in combination with left-hand right-hand threaded pin area

Technical data

Material Steel
Surface hot-dip galvanized

Product details

load F_z	11,2 kN
Thread	M16
Length	170 mm
Outer diameter	42 mm
Adjustability	110 mm