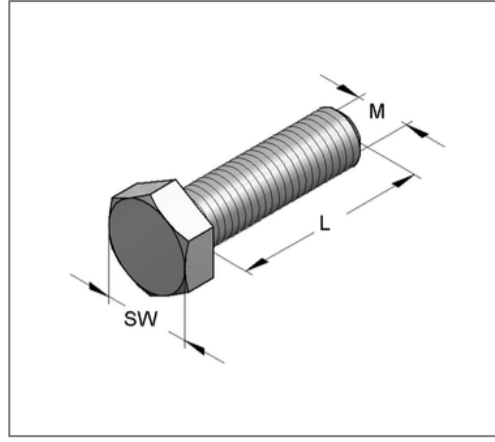
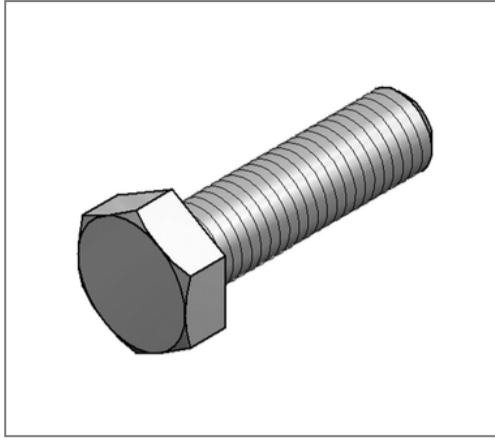


■ Hexagon screw EN ISO 4017 M12 x 55 mm hot-dip galv. FK 8.8



Commercial details

Part no.	320660655/fvz
EAN/GTIN	4250928457134
Packing unit	100 pcs
Quantity unit	pcs
Weight	0,0647 kg/pc
Product group	05-320
Price unit	100

QR code



Certification



Technical data

Material	Steel
Surface	hot-dip galvanized
Strength class	8.8

Product details

Thread M	M12
Length L	55 mm
Wrench size SW	19
Shape head	Hexagon head