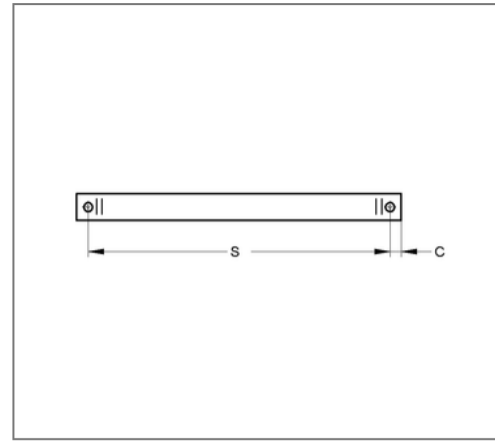
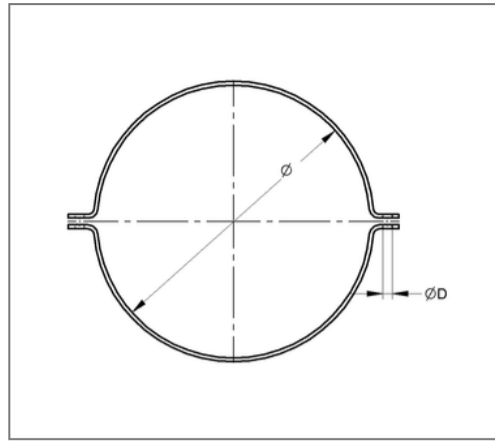
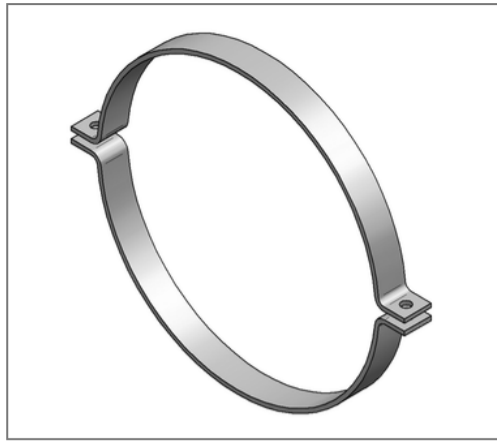


## ■ Pipe clamp Form A TGA 60x8 368 mm without connection unlined hot-dip galv.



### Commercial details

Part no.	109fgaa0368
EAN/GTIN	4250928423511
Packing unit	1 pcs
Quantity unit	pcs
Weight	5,21 kg/pc
Product group	14-109
Price unit	1

### QR code



### Specification

Application area	pipe clamp for fixing pipes.
Specification	two-part
Connection	without connection

### Technical data

Material	Steel
Material type	S235
Surface	hot-dip galvanized
Sound insulation lining	unlined

### Product details

Center distance S	442 mm
Material dimension	60x8 mm
load $F_z$	16 kN
Outer pipe diameter	368 mm
Closure screw	M16