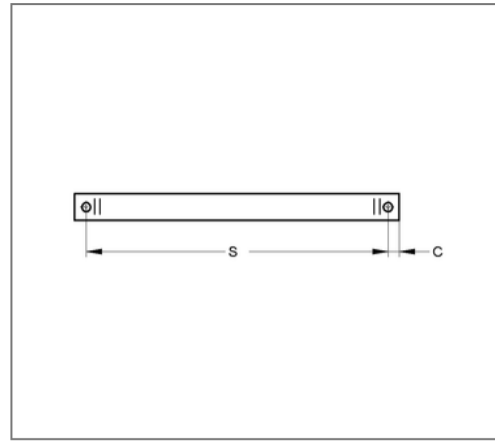
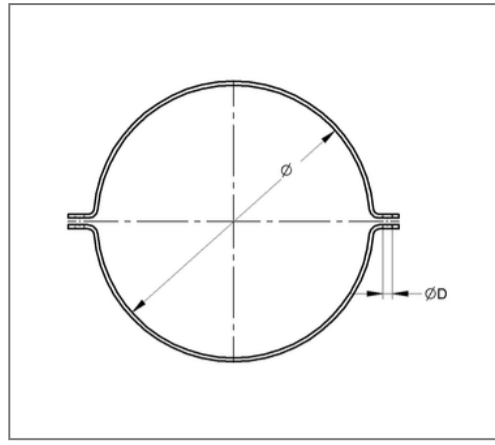
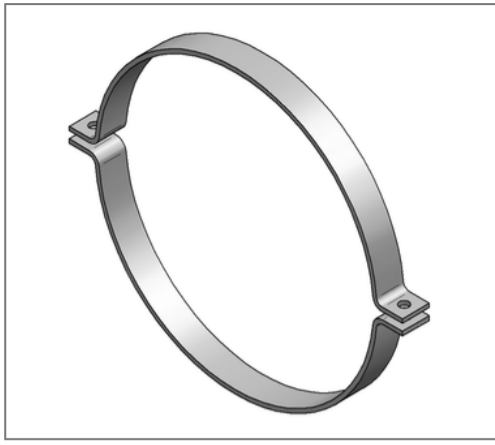


■ Pipe clamp Form A TGA 60x8 457 mm without connection unlined hot-dip galv.



Commercial details

Part no.	109fgaa0457
EAN/GTIN	4250928423542
Packing unit	1 pcs
Quantity unit	pcs
Weight	6,31 kg/pc
Product group	14-109
Price unit	1

QR code



Specification

Application area	pipe clamp for fixing pipes.
Specification	two-part
Connection	without connection

Technical data

Material	Steel
Material type	S235
Surface	hot-dip galvanized
Sound insulation lining	unlined

Product details

Center distance S	532 mm
Material dimension	60x8 mm
load F_z	16 kN
Outer pipe diameter	457 mm
Closure screw	M16