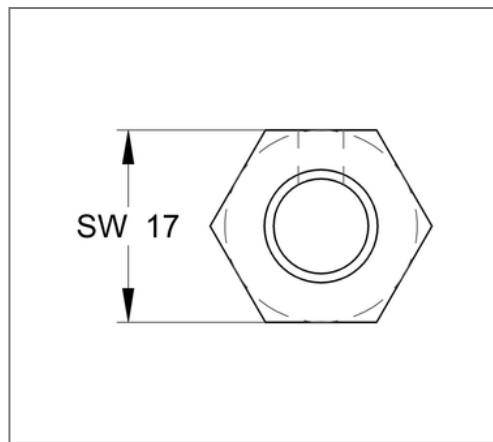
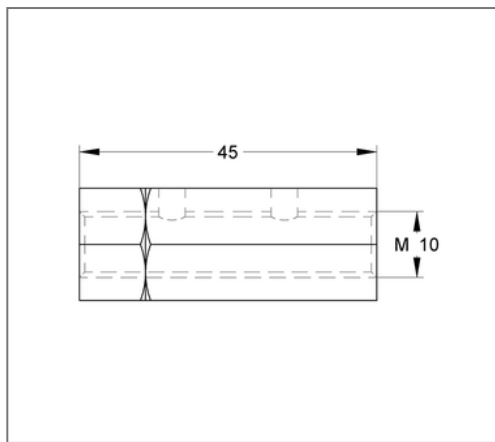
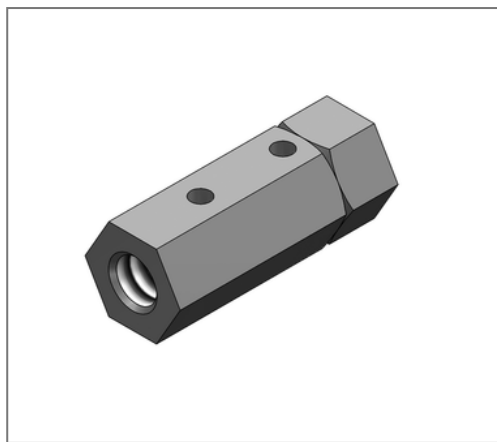


■ Turnbuckle nut M10 SW 17



Commercial details

Part no.	08120760
EAN/GTIN	4250928459268
Packing unit	10 pcs
Quantity unit	pcs
Weight	0,0580 kg/pc
Product group	02-081
Price unit	1

QR code



Specification

Application area Adjustment of tensioning

Technical data

Material Steel
Surface galvanized

Product details

Thread M	M10
Wrench size SW	17
tension load	11 kN