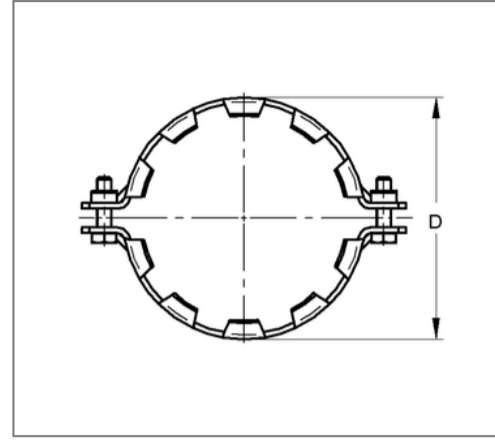
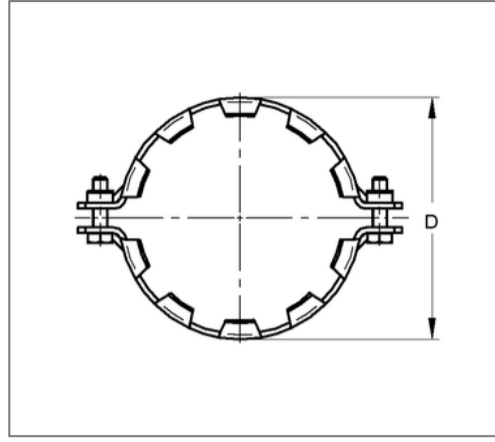
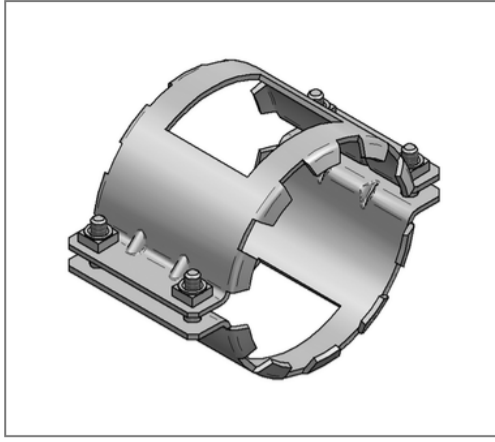


■ Grip connector SIMA-Cramp DN 125 OD 135 mm two-part



Commercial details

Part no.	44732561
EAN/GTIN	4250928459282
Packing unit	10 pcs
Quantity unit	pcs
Weight	1,11 kg/pc
Product group	03-448
Price unit	1

QR code



Certification

22 1130 3 94
MPA NRW

Technical data

Material	Steel
Material type	S235
Surface	galvanized

Specification

Application	grip connector without sleeves, drain pipes in area
Specification	connection with connector SIMA >G< two-part

Product details

Outer pipe diameter	135 mm
Length S	202 mm
Tightening torque	20 Nm
Width pipe clamp strap B	103 mm
max. pressure load	5 bar
Nominal pipe diameter	125 mm
Height D	154 mm