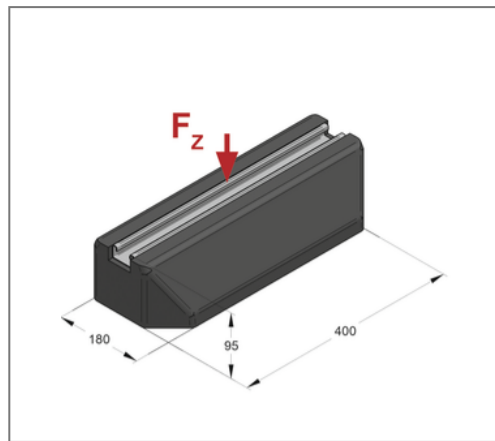


■ Rooftop holder Multi Support Length 400 mm



Commercial details

Part no.	08197620
EAN/GTIN	4250928459442
Packing unit	1 pcs
Quantity unit	pcs
Weight	3,50 kg/pc
Product group	02-081
Price unit	1

QR code



Specification

Application Recessed aluminum rail (40 x 20 mm) allows easy installation and fixation with simultaneous structure-borne sound insulation of equipment, ventilation ducts and conduits on flat roofs.

Technical data

Material holder	recycled, UV-resistant rubber SBR
Material profile	Aluminium

Product details

Length	400 mm
Height	95 mm
Width	180 mm
load F_z	1,28 kN
min. temperature resistance	-40 °C
max. temperature resistance	80 °C