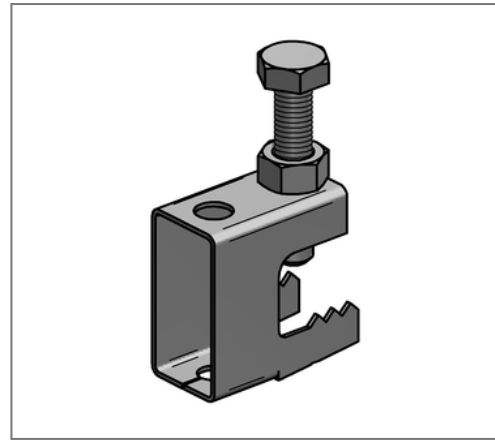
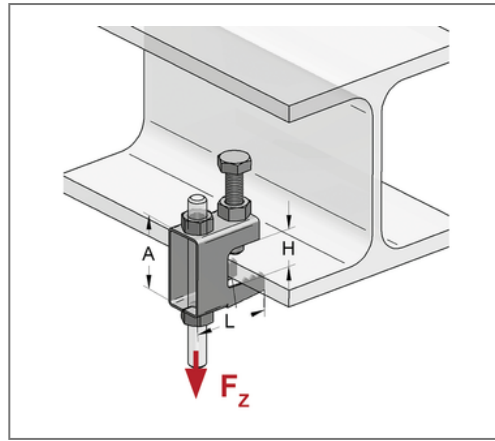
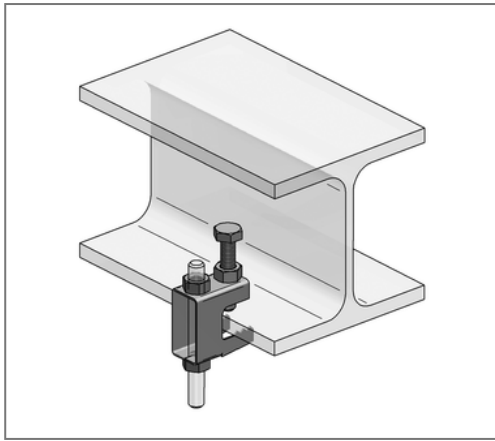


■ Beam clamp Steel PKB 10 Clamping range 0 - 22 mm Hole for M10



Commercial details

Part no.	0576805
EAN/GTIN	4250928459039
Packing unit	50 pcs
Quantity unit	pcs
Weight	0,134 kg/pc
Product group	05-057
Price unit	1

QR code



Certification



Specification

Brand	Jiangmen Eurofix
Application area	fast and simple mounting at steel structures and profiles
Type of attachment	with pass hole
Delivery	Trägerklammer, Sechskantschraube mit Sicherung

Technical data

Material	Steel
Surface	galvanized
max. clamping thickness H	22 mm

Product details

Height A	44 mm
load F_z	2,5 kN
Thread	for M10
Hole-Ø	11 mm
Length L	44 mm