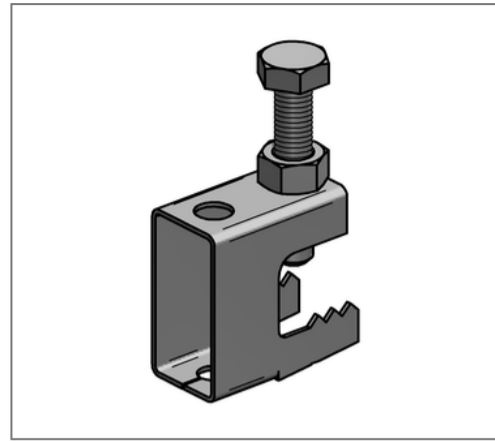
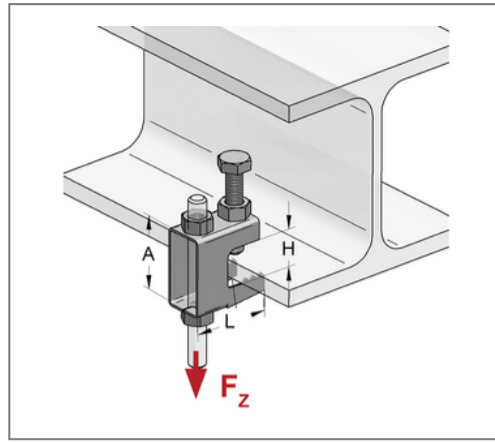
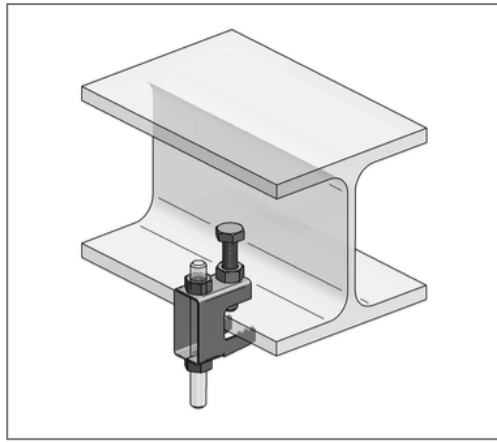


■ Beam clamp Steel PK 12 Clamping range 8 - 26 mm Hole for M12



Commercial details

Part no.	0576807
EAN/GTIN	4250928459046
Packing unit	50 pcs
Quantity unit	pcs
Weight	0,236 kg/pc
Product group	05-057
Price unit	1

QR code



Certification



Specification

Brand	Jiangmen Eurofix
Application area	fast and simple mounting at steel structures and profiles
Type of attachment	with pass hole

Technical data

Material	Steel
Surface	galvanized
min. clamping thickness H	8 mm
max. clamping thickness H	26 mm

Product details

Height A	61 mm
load F_z	3,5 kN
Thread	for M12
Hole- \emptyset	13 mm
Length L	58 mm