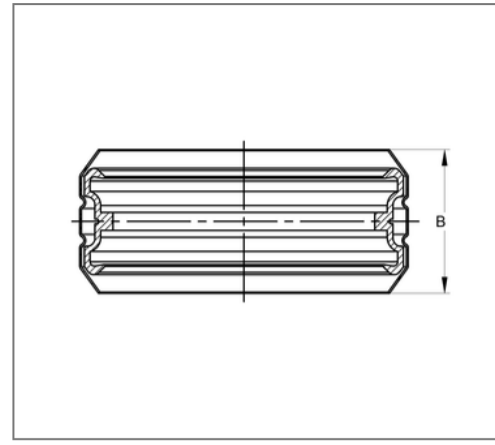
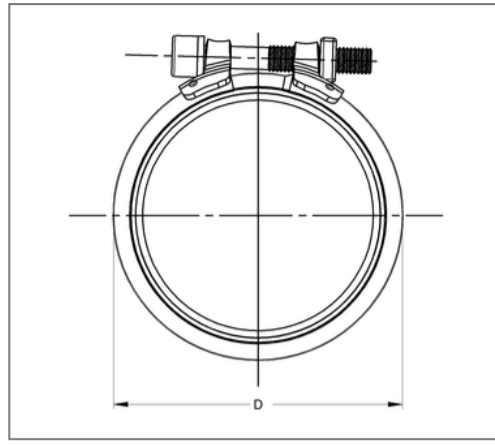


■ Connector SIMA RAPID DN 70 OD 78 mm



Commercial details

Part no.	447710070
EAN/GTIN	4250928453662
Packing unit	50 pcs
Quantity unit	pcs
Weight	0,120 kg/pc
Product group	03-447
Price unit	1

QR code



Certification



Specification

Application area	plug connector for cast iron pipe and fittings
Strength class	8.8
max. pressure load	0,5 bar
Closure part connection	Welded connection

Technical data

Material	Ferritic chromium steel
Material type	1.452
Material turnbuckle	Stainless steel
Material type clamp lock	1.4301, 1.4510
Material cuff	Rubber EPDM
min. temperature resistance	-35 °C
max. temperature resistance	100 °C
Colour cuff	black

Product details

Width D	91,6 mm
Outer pipe diameter	78 mm
Width pipe clamp strap B	38,6 mm
Nominal pipe diameter	70 mm
Screw type DIN 4762	hexagon socket
Connector type	Plug connector