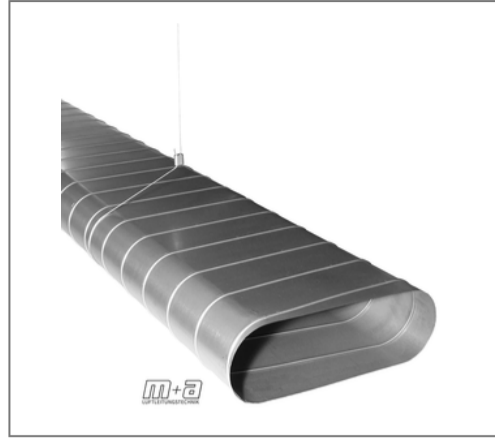
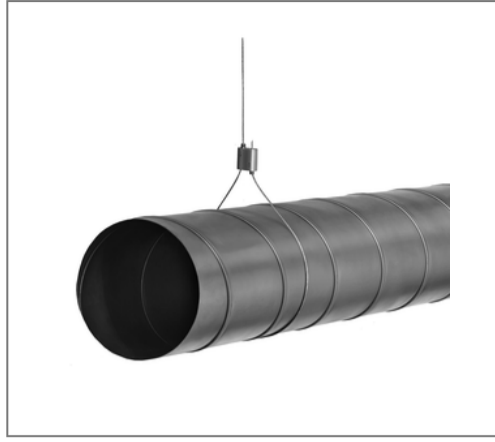


## ■ Wire rope system L-Fix Thread M8 2,5 mm 3 m



### Commercial details

Part no.	05985782
EAN/GTIN	4250928458926
Packing unit	10 pcs
Quantity unit	pcs
Weight	0,121 kg/pc
Product group	08-983
Price unit	1

### QR code



### Specification

Application for fixing in Drop-in Anchors, threaded sleeves  
area or threaded plates

### Technical data

Material	Steel
Surface	galvanized
Safety factor	5
Material lock	Aluminium

### Product details

tension load	0,82 kN
Diameter wire	2,5 mm
Thread	M8
Length thread	40 mm
Length	3 m

### Remark

Notice Set incl. wire and lock