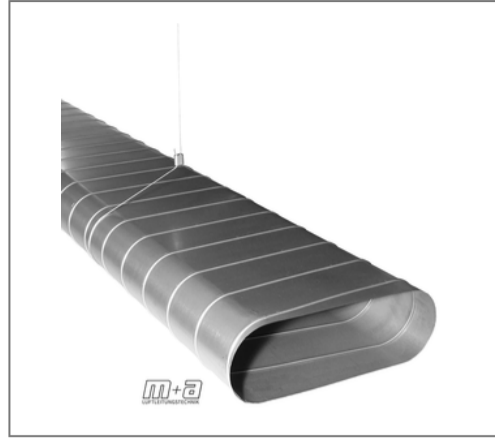
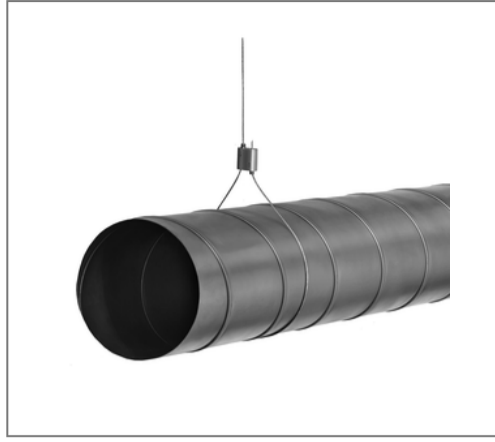


## ■ Wire rope system L-Fix Loop 2,5 mm 3 m



### Commercial details

Part no.	05985774
EAN/GTIN	4250928458964
Packing unit	10 pcs
Quantity unit	pcs
Weight	0,0920 kg/pc
Product group	08-983
Price unit	1

### QR code



### Specification

Application for looping around girder structures of steel, wood, concrete  
area

### Product details

tension load	0,82 kN
Diameter wire	2,5 mm
Length	3 m

### Technical data

Material	Steel
Surface	galvanized
Safety factor	5
Material lock	Aluminium

### Remark

Notice Set incl. wire and lock