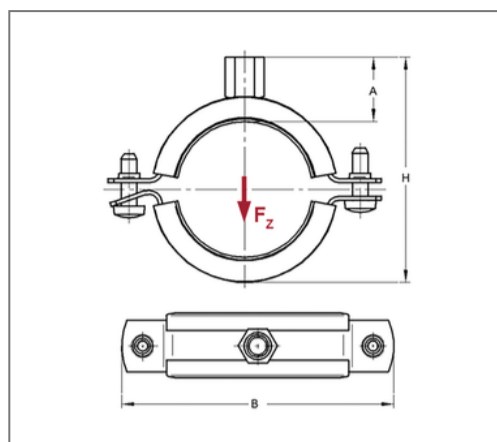


## ■ Pipe clamp Trabant Inox 20x1 26 - 30 mm M8/M10 TPE



### Commercial details

Part no.	051003030
EAN/GTIN	4250928453860
Packing unit	100 pcs
Quantity unit	pcs
Weight	0,0628 kg/pc
Product group	13-051
Price unit	100

### QR code



### Certification



### Specification

Application area	pipe clamp for fixing pipes.
Specification	two-part
Connection	M8/M10
Closure	Snap-in closure

### Technical data

Material	Stainless steel
Material type	V4A
Insulation thickness	4,5 mm
Temperature resistance	-35 °C - 100 °C
Sound insulation lining	TPE

### Product details

Center distance S	57,0 mm
Connection height A	22 mm
Width B	74 mm
Colour sound insulation lining	black
Höhe H	53 - 58 mm
Material dimension	20x1 mm
load $F_z$	0,4 kN
Clamping range	26 - 30 mm
Outside pipe diameter inch	3/4 inch
Closure screw	val.Verschlusschraube.M6

### Remark

Delivery time	2 working days, ex works
Notice	Other sizes and connection threads on demand.