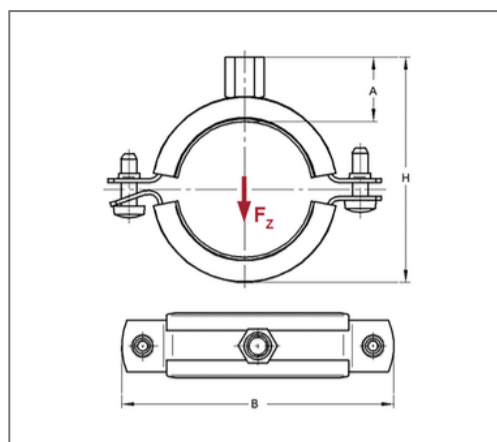


■ Pipe clamp Trabant Inox 20x1 32 - 37 mm M8/M10 TPE



Commercial details

Part no.	051003037
EAN/GTIN	4250928453877
Packing unit	100 pcs
Quantity unit	pcs
Weight	0,0675 kg/pc
Product group	13-051
Price unit	100

QR code



Certification



Specification

Application area	pipe clamp for fixing pipes.
Specification	two-part
Connection	M8/M10
Closure	Snap-in closure

Product details

Center distance S	64 mm
Connection height A	22 mm
Width B	81 mm
Colour sound insulation lining	black
Höhe H	60 - 65 mm
Material dimension	20x1 mm
load Fz	0,4 kN
Clamping range	32 - 37 mm
Outside pipe diameter inch	1 inch
Closure screw	M6

Technical data

Material	Stainless steel
Material type	V4A
Insulation thickness	4,5 mm
Temperature resistance	-35 °C - 100 °C
Sound insulation lining	TPE

Remark

Delivery time	2 working days, ex works
Notice	Other sizes and connection threads on demand.