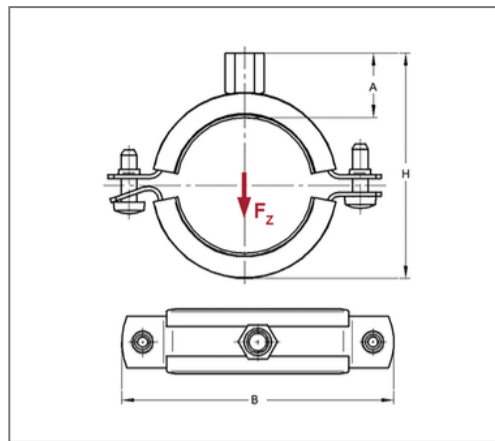


■ Pipe clamp Trabant Inox 25x2 85 - 90 mm M8/M10 EPDM



Commercial details

Part no.	051003090
EAN/GTIN	4250928453938
Packing unit	50 pcs
Quantity unit	pcs
Weight	0,206 kg/pc
Product group	13-051
Price unit	100

QR code



Certification



Specification

Application area	pipe clamp for fixing pipes.
Specification	two-part
Connection	M8/M10
Closure	Snap-in closure

Technical data

Material	Stainless steel
Material type	V4A
Insulation thickness	4,5 mm
Temperature resistance	-35 °C - 100 °C
Sound insulation lining	Rubber EPDM

Product details

Center distance S	119,9 mm
Connection height A	23,5 mm
Width B	138 mm
Colour sound insulation lining	black
Höhe H	116 - 121 mm
Material dimension	25x2 mm
load Fz	1 kN
Clamping range	85 - 90 mm
Outside pipe diameter inch	3 inch
Closure screw	M6

Remark

Delivery time	2 working days, ex works
Notice	Other sizes and connection threads on demand.