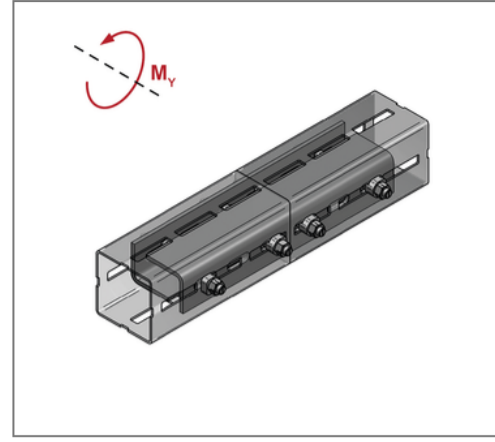
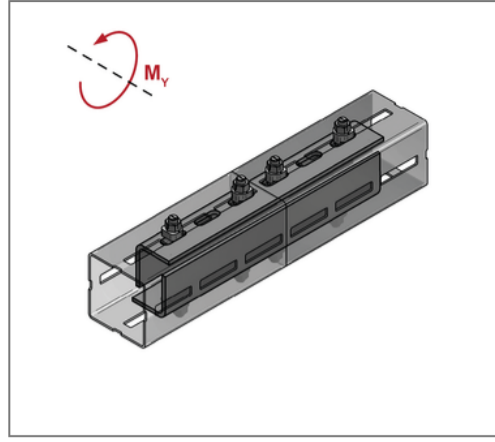
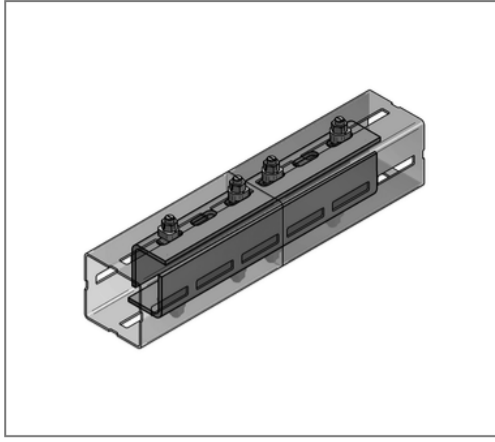


■ Connector CENTUM XL 80 - XL 200 380x67x59 mm Elongated hole 14x40 mm



Commercial details

Part no.	1640005011
EAN/GTIN	4250928459398
Packing unit	1 pcs
Quantity unit	pcs
Weight	5,28 kg/pc
Product group	14-164
Price unit	1

QR code



Certification



Specification

Application	component for connecting two identical area
Profile	CENTUM
Profile type	XL 80, XL 100, XL 120 and XL 200
Delivery	2 x u-steel 8x CENTUM T-lock head, toothed

Technical data

Material	Steel
Material type	S235
Surface	hot-dip galvanized
Surface screw	zinc-nickel

Product details

Width	67 mm
Height	59 mm
Length	380 mm
Tightening torque	120 Nm
Elongated hole	14x40 mm
limited torque M_{Y} XL80 at screw position top/bottom	1,25 kNm
limited torque M_{Y} XL80 at screw position left/right	0,85 kNm
limited torque M_{Y} XL100 at screw position top/bottom	2,5 kNm
limited torque M_{Y} XL100 at screw position left/right	1,35 kNm

Remark

Notice	Set including connecting components
--------	-------------------------------------