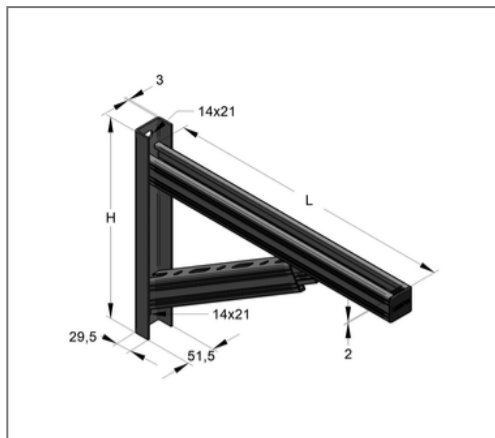


## ■ Carrier console with 1 brace L= 420 mm Profile 45/45



### Commercial details

Part no.	180470421/fvz
EAN/GTIN	4250928459534
Packing unit	6 set
Quantity unit	set
Weight	2,66 kg/set
Product group	02-083
Price unit	1

### QR code



### Certification



### Specification

Application	Console with welded strut as equipment base in the outdoor area.
Profile type	45/45
Delivery	with protective cap

### Technical data

Material	Steel
Material type	S235
Surface	hot-dip galvanized

### Product details

Höhe H	330 mm
Length L	420 mm
Thickness S	2 mm
Hole distance	284,5 mm
load F1	7 kN
load F2	2,6 kN