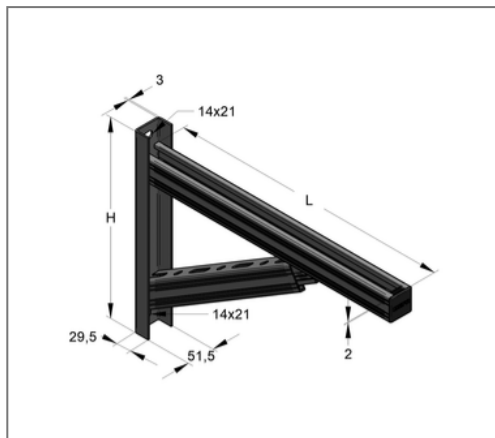


■ Carrier console with 1 brace L= 630 mm Profile 45/45



Commercial details

Part no.	180470631/fvz
EAN/GTIN	4250928459558
Packing unit	6 set
Quantity unit	set
Weight	3,94 kg/set
Product group	02-083
Price unit	1

QR code



Certification



Specification

Application	Console with welded strut as equipment base in the outdoor area.
Profile type	45/45
Delivery	with protective cap

Technical data

Material	Steel
Material type	S235
Surface	hot-dip galvanized

Product details

Höhe H	395 mm
Length L	630 mm
Thickness S	2 mm
Hole distance	349,5 mm
load F1	7,6 kN
load F2	2,6 kN