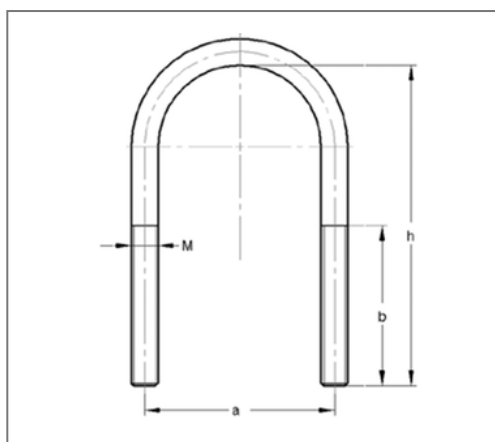


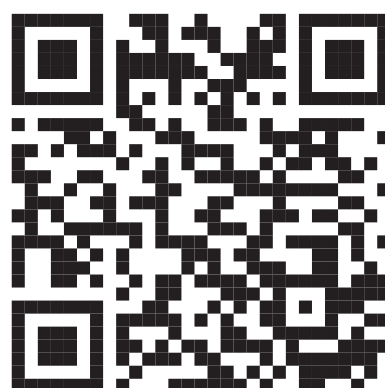
■ U-bolt 76,1 mm M10 total height 140 mm



Commercial details

Part no.	050707601
EAN/GTIN	4250928459664
Packing unit	100 pcs
Quantity unit	pcs
Weight	0,169 kg/pc
Product group	01-050
Price unit	1

QR code



Specification

Application area	for direct installation of piping onto steel structures and suitable for push-through-assembling into profile rails. Suitable for sprinkler
------------------	---

Specification	similar to DIN 3570
---------------	---------------------

Technical data

Material	Steel
Material type	S235
Surface	galvanized

Product details

Center distance a	87 mm
Height h	140 mm
Outside pipe diameter inch	2 1/2 inch
Thread M	M10
Length thread b	75 mm
Outer pipe diameter	76,1 mm

Remark

Notice	without nut
--------	-------------