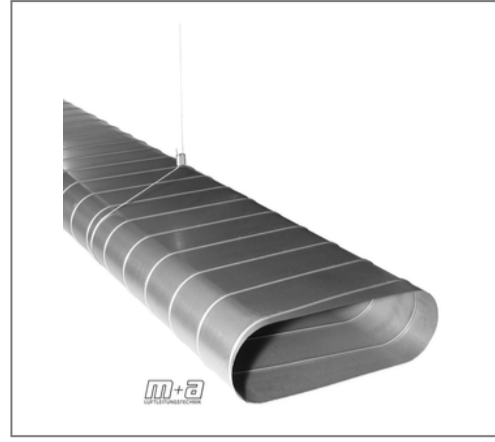
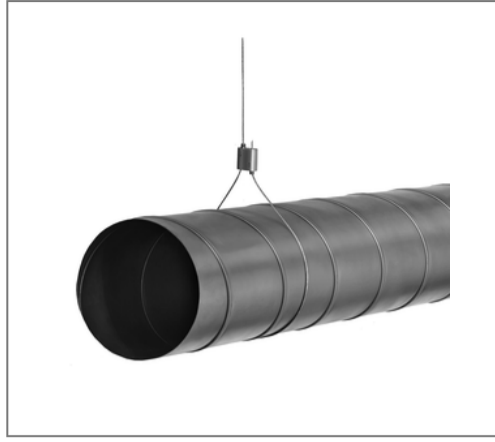


## ■ Wire rope system L-Fix toggle 1,5 mm 5 m



### Commercial details

Part no.	05985758
EAN/GTIN	4250928459589
Packing unit	10 pcs
Quantity unit	pcs
Weight	0,0620 kg/pc
Product group	08-983
Price unit	1

### QR code



### Specification

Application area for fixing in trapeze sheets

### Product details

tension load	0,32 kN
Diameter wire	1,5 mm
Length	5 m

### Technical data

Material	Steel
Surface	galvanized
Safety factor	5
Material lock	Aluminium

### Remark

Notice Set incl. wire and lock