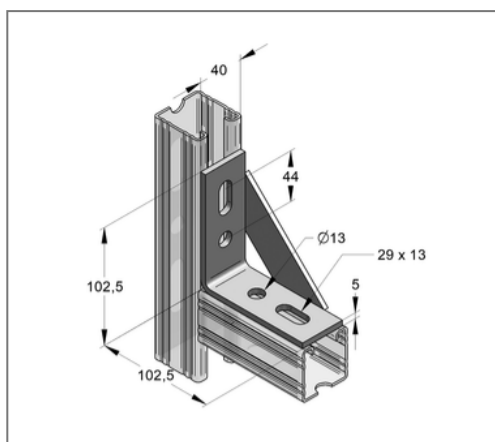
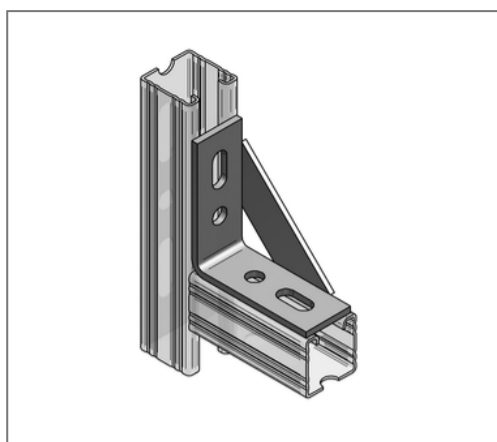


■ Knot triangle 4-hole C-profile 45 V2A 90 ° Wing 102,5 x 102,5 mm



Commercial details

Part no.	048040701
EAN/GTIN	4250928459671
Packing unit	1 pcs
Quantity unit	pcs
Weight	0,375 kg/pc
Product group	13-048
Price unit	1

QR code



Certification



Specification

Application area	Connection of stainless steel C-profile rails 45.
Profile	C-profile

Technical data

Material	Stainless steel
Material type	V2A

Product details

Hole-Ø	13 mm
Elongated hole	13x29 mm
Profile type	45
Material thickness	5 mm
Width material	40 mm
Length wing 1	102,5 mm
Length wing 2	102,5 mm
Angle	90 °