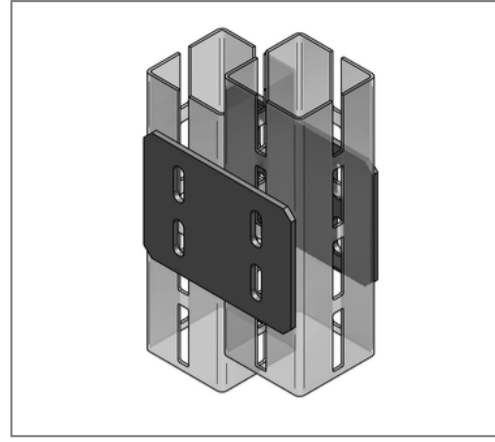
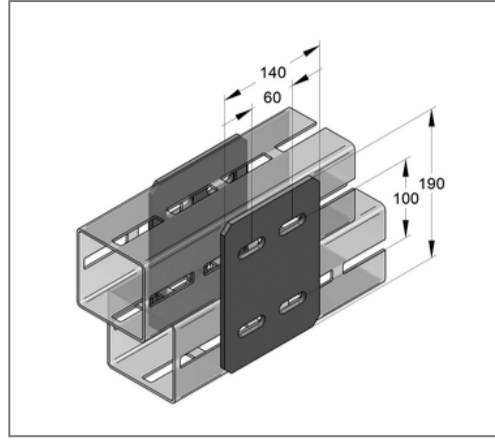
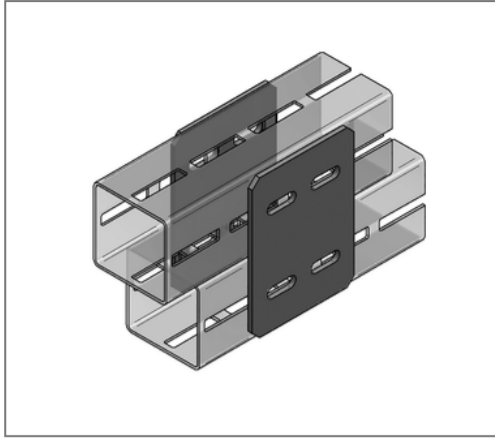


## ■ Connection lug for CENTUM XL 100



### Commercial details

Part no.	1640003040
EAN/GTIN	4250928459718
Packing unit	1 pcs
Quantity unit	pcs
Weight	1,29 kg/pc
Product group	14-164
Price unit	1

### QR code



### Certification



### Specification

Application area	For connecting CENTUM mounting profiles. Use in pairs.
Profile type	XL 100

### Technical data

Material	Steel
Material type	S235
Surface	hot-dip galvanized

### Product details

Width	140 mm
Length	190 mm
Elongated hole	14x40 mm
Thickness	6 mm
load $F_x$	64 kN
load $F_z$	64 kN