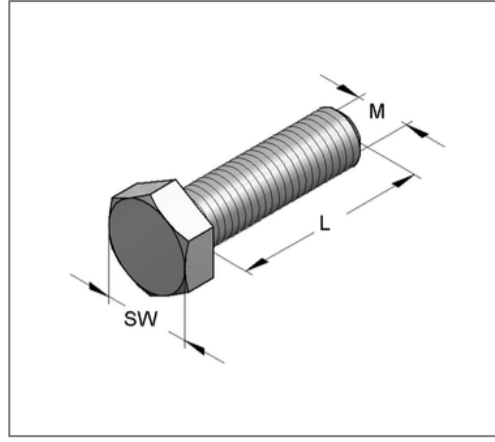
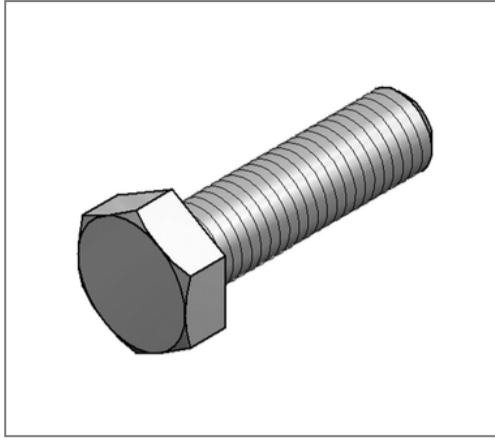


## ■ Hexagon screw EN ISO 4017 M12 x 80 mm hot-dip galv. FK 8.8



### Commercial details

Part no.	32066068/fvz
EAN/GTIN	4250928459787
Packing unit	50 pcs
Quantity unit	pcs
Weight	0,0869 kg/pc
Product group	05-320
Price unit	100

### QR code



### Certification



### Technical data

Material	Steel
Surface	hot-dip galvanized
Strength class	8.8

### Product details

Thread M	M12
Length L	80 mm
Wrench size SW	19
Shape head	Hexagon head