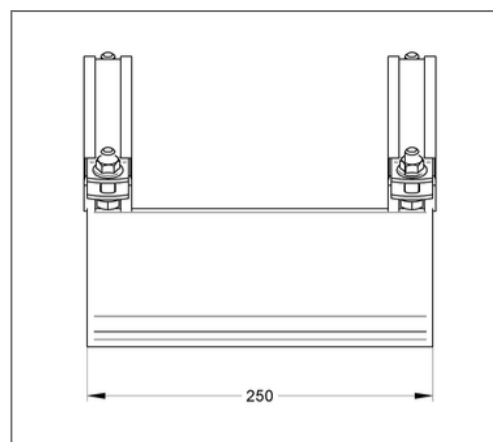
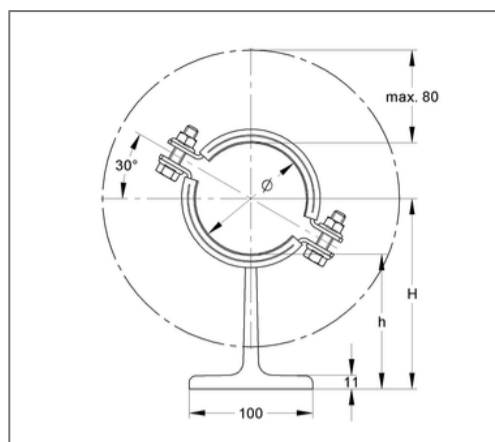
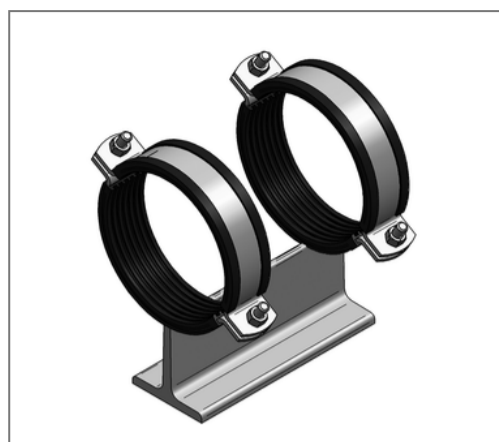


■ Sliding support T h=111 50 x 5 mm 108 mm EPDM hot-dip galv.



Commercial details

Part no.	145fb0108
EAN/GTIN	4250928460158
Packing unit	1 pcs
Quantity unit	pcs
Weight	7,17 kg/pc
Product group	14-148
Price unit	1

QR code



Certification



Specification

Specification	T-support
Closure screw	M12

Technical data

Material	Steel
Material type	S235
Surface	hot-dip galvanized
Insulation thickness	6 mm
Temperature resistance	-35 °C - 100 °C
Sound insulation lining	Rubber EPDM
Safety factor	1.54
Class	B2

Product details

Outer pipe diameter	108 mm
Material dimension pipe clamp	50x5 mm
Width substructure	100 mm
Height base	111 mm
Length of substructure	250 mm
load Fx	5,13 kN
load Fy	3 kN
load Fz hanging μ 0,2	6,4 kN
load Fz hanging μ 0,3	6,4 kN
load Fz standing μ 0,2	12,8 kN
load Fz standing μ 0,3	10 kN